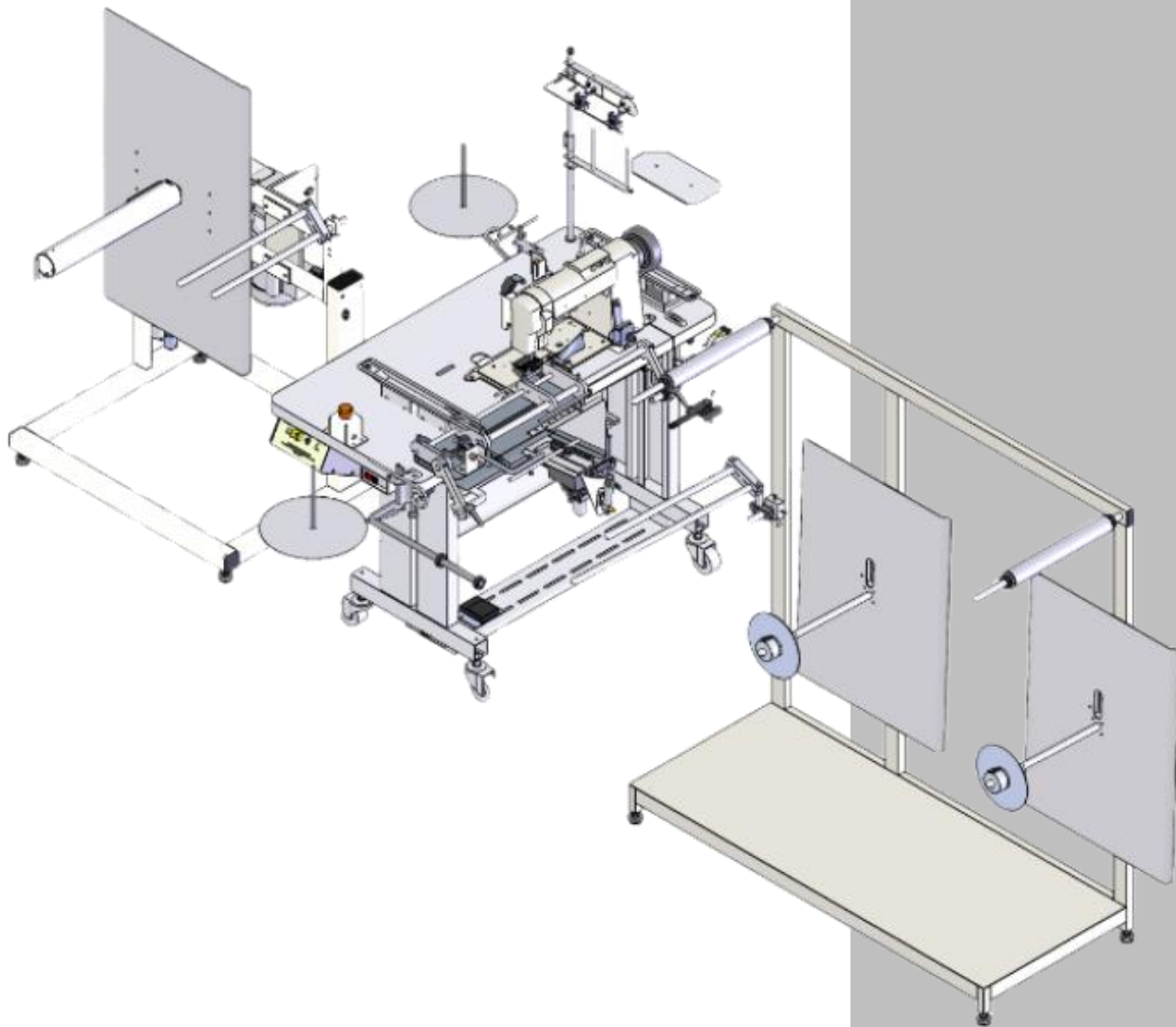




Model **1347MSB**

Revision 0 Created December 7 2023(wr)

# Technical Manual & Parts Lists



**Atlanta Attachment Company**

362 Industrial Park Drive

Lawrenceville, GA 30046

770-963-7369 • [www.atlatt.com](http://www.atlatt.com)



# ATLANTA ATTACHMENT COMPANY, INC.

## Confidential and Proprietary Information

The materials contained herein are confidential and proprietary information of Atlanta Attachment Company. In addition to any confidentiality and non-disclosure obligations that currently exist between you and Atlanta Attachment Company, your use of these materials serves as an acknowledgment of the confidential and proprietary nature of these materials and your duty not to make any unauthorized use or disclosure of these materials.

All materials contained herein are additionally protected by United States Copyright law and may not be used, disclosed, reproduced, distributed, published or sold without the express written consent of Atlanta Attachment Company, which consent may be withheld in Atlanta Attachment Company's sole discretion. You may not alter or remove any copyright, trademark or other notice from copies of these materials.

<b>IMPORTANT</b>
<b>It is important to read and understand the information contained within this manual before attempting to operate the machine. Atlanta Attachment Co., Inc. shall not be held liable for damage resulting from misuse of the information presented within, and reserves the right to change the information contained within, without prior notification.</b>

# Contents

Important Safety Instruction .....	0
Liability .....	1
Safety Equipment on the Machines .....	2
Protective Eyewear .....	3
Important Notices.....	4
Maintenance .....	6
Repair .....	7
A Word to the End User.....	8
Safety Precautions.....	8
Component Identification .....	9
Operating Instructions.....	9
Automatic Mode: .....	10
Manual Mode: .....	10
Electric Eye Sensor .....	10
Operation.....	10
Adjustment.....	10
Reflective Tape Maintenance .....	11
Assembly Drawings & Parts Lists .....	12
11347MSB Auto Dual Binder .....	13
1330200 Rewinder W/ Mounting Assembly .....	14
1347544 Dual Roll Holder Assembly.....	16
33008708 Ball Bearing Disc Assembly .....	19
1347610 Workstation, Singer 300U194A.....	20
1347443 Flanger Assembly .....	22
1347611 Table and Stand Assembly.....	23
4000D-500 CONTROL BOX, 4000D .....	25
1347613 Sewing Head Assembly, Singer 300U.....	26
1347480 Hemmer, 5/8” Capacity, Single Fold.....	27
1347MA-PD Pneumatic Diagram.....	28
1347MA-WD Wiring Diagram.....	29

## Important Safety Instruction



This part of the Instruction Material is provided for the safe use of your equipment. It contains important information to help work safely with the unit and describes the dangers inherent in machinery. Some of these dangers are obvious, while others are less evident.

### Mandatory Information

All persons operating and/or working on the 1347MGB Auto Dual Binder should read and understand all parts of the Safety Instructions. This applies, in particular, for persons who only operate and/or work on the unit occasionally (e.g. for maintenance and repair). Persons who have difficulty reading must receive particularly thorough instruction.

### Scope of the Instruction Material

- The Instruction Material comprises:
- Safety information
- Operator Instructions
- Electrical and Pneumatic diagrams

And may also include;

- A list of recommended spare parts
- Instruction Manual(s) for components made by other manufacturers
- The layout and installation diagram containing information for installation

### Intended Use

Our machines are designed and built in line with the state of the art and the accepted safety rules. However, all machines may endanger the life and limb of their users and/or third parties and be damaged or cause damage to other property, particularly if they are operated incorrectly or used for purposes other than those specified in the Instruction Manual.

### Exclusion of Misuse



Non-conforming uses include, for example, using the equipment for something other than it was designed for, as well as operation without duly installed safety equipment. The risk rests exclusively with the end user.

Conforming use of the machine includes compliance with the technical data, information and regulations in all parts of the complete Instruction Material, as well as compliance with the maintenance regulations. All local safety and accident prevention regulations must also be observed.

## Liability

The machine should only be operated when in perfect working order, with due regard for safety and the potential dangers, as well as in accordance with the Instruction Material. Faults and malfunctions capable of impairing safety should be remedied immediately. We cannot accept any liability for personal injury or property damage due to operator errors or non-compliance with the safety instructions contained in this booklet. The risk rests exclusively with the end user.

The Instruction Material should always be kept near the machine so that it is accessible to all concerned.

The local, general, statutory and other binding regulations on accident prevention and environmental protection must also be observed in addition to the Instruction Material. The operating staff must be instructed accordingly. This obligation also includes the handling of dangerous substances and provision/use of personal protective equipment.

The Instruction Material should be supplemented by instructions, including supervisory and notification duties with due regard for special operational features, such as the organization of work, work sequences, the personnel deployed, etc.

The personnel's awareness of the dangers and compliance with the safety regulations should be checked at irregular intervals.

## Choice and Qualification of Personnel

Ensure that work on the machine is only carried out by reliable persons who have been appropriately trained for such work - either within the company, by our field staff or at our office - and who have not only been duly appointed and authorized, but are also fully familiar with the local regulations. Work on the machine should only be carried out by skilled personnel, under the management and supervision of a duly qualified engineer.

This not only applies when the machine is used for production, but also for special work associated with its operation (start-up and maintenance), especially when it concerns work on the hydraulic or electrical systems, as well as on the software/serial bus system.

## Training

Everyone working on or with the machine should be duly trained and informed with regard to correct use of the safety equipment, the foreseeable dangers which may arise during operation of the machine and the safety precautions to be taken. In addition, the personnel should be instructed to check all safety mechanisms at regular intervals.

## Responsibilities

Clearly define exactly who is responsible for operating, setting-up, servicing and repairing the machine. Define the responsibilities of the machine operator and authorize him to refuse any instructions by third parties if they run contrary to the machine's safety. This applies in particular for the operators of machines linked to other equipment. Persons receiving training of any kind may only work on or with the machine under the constant supervision of an experienced operator. Note the minimum age limits permitted by law.

## A Word to the Operator

The greatest danger inherent in our machines: is that of fingers, hands or loose clothing being drawn into a machine by live, coasting or rotating tools or assemblies or of being cut by sharp tools or burned by hot elements.

### **ALWAYS BE CONSCIOUS OF THESE DANGERS!**

## Safety Equipment on the Machines



All machines are delivered with safety equipment, which shall not be removed or bypassed during operation.

The correct functioning of safety equipment on machines and systems should be checked every day and before every new shift starts, after maintenance and repair work, when starting up for the first time and when restarting (e.g. after prolonged shutdowns).

If safety equipment has to be dismantled for setting-up, maintenance or repair work, such safety equipment shall be replaced and checked immediately upon completing the maintenance or repair work. All protective mechanisms shall be fitted and fully operational whenever the machine is at a standstill or if it has been shut down for a longer period of time.

## Damage

If any changes capable of impairing safety are observed in the machine or its mode of operation, such as malfunctions, faults or changes in the machine or tools, appropriate steps must be taken immediately, the machine switched off and a proper lockout tagout procedure followed. The machine should be examined for obvious damage and defects at least once per shift. Damage found shall be immediately remedied by a duly authorized person before resuming operation of machine.

The machine should only be operated when in perfect working order and when all protective mechanisms and safety equipment, such as detachable protective mechanisms, emergency STOP systems, etc. are in place and operational.

## Faults or Errors

The machine must be switched off and all moving or rotating parts allowed to come to a standstill and secured against accidental restart before starting to remedy any faults or errors.

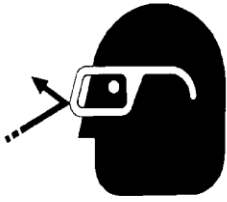
## Signs on the Machine

Safety and danger signs on the machine should be observed and checked at regular intervals to ensure that they are complete and undamaged. They should be clearly visible and legible at all times.

### Clothing, Jewelry, Protective Equipment

Long loose hair, loose-fitting clothes, gloves and jewelry, including rings, should be avoided in order to avoid injuries due to being caught, drawn in and wound up inside the machine.

## Protective Eyewear



Protective eyewear that has been tested by the local authorities should be worn whenever there is a possibility of loose or flying objects or particles such as when cleaning the machine with compressed air.

## Tools

Always count the number of tools in your possession before starting work on the machine. This will allow you to check that no tools have been left behind inside the machine. Never leave a tool in the machine while working.

## Oils, Lubricants, Chemicals

Note the applicable safety regulations for the product used.

## No Smoking, Fire, Explosion Hazard

Smoking and open flame (e.g. welding work) should be prohibited in the production area due to the risk of fire and explosions.

## Workplace

A clear working area without any obstructions whatsoever is essential for safe operation of the machine. The floor should be level and clean, without any waste.

The workplace should be well lit, either by the general lighting or by local lights.

## Emergency STOP

The emergency STOP buttons bring all machine movements to a standstill. Make sure you know exactly where they are located and how they work. Try them out. Always ensure easy access to the nearest emergency STOP button while working on the machine.

## First Aid

1. Keep calm even when injured.
2. Clear the operator from the danger zone. The decision of what to do and whether to seek additional assistance rests entirely with you, particularly if someone has been trapped.
3. Give First Aid. Special courses are offered by such organizations as the employers' liability insurance association. Your colleagues should be able to rely on you and vice versa.
4. Call an ambulance. Do you know the telephone numbers for the ambulance service, police and fire service?

## Important Notices

### Reporting and Fighting Fires

Read the instructions posted in the factory with regard to reporting fires and the emergency exits. Make sure you know exactly where the fire extinguishers and sprinkler systems are located and how they are operated. Pass on the corresponding information to the firemen when they arrive. Ensure there are enough signs to avoid fire hazards.

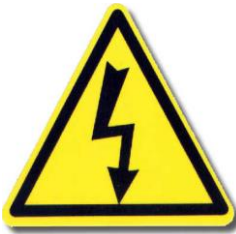
The following fire extinguishers may be used:

- Dry powder extinguishers, ABC fire-extinguishing powder.
- Carbon dioxide fire extinguishers to DIN 14461 for electronic components. Great care must be exercised when using carbon dioxide fire extinguishers in confined, badly ventilated rooms (see DIN 14406 and 14270).

Isolate the machine from the power supply if a fire breaks out. Do not use water on burning electrical parts until it is absolutely certain that they have been completely disconnected from the power supply. Burning oils, lubricants, plastics and coatings on the machine can give off gases and vapors that may be harmful to your health.

A qualified person should be consulted to repair the damage after a fire.

### Electrical Power Supply



Before undertaking any maintenance or repair work on the machine, switch off the electrical power to the machine at the main source and secure it with a padlock so that it cannot be switched on again without authorization.

In practice, this may mean that the technician, electrician and operator all attach their own padlock to the master switch simultaneously so that they can carry out their work safely. Locking extension plates should be available for multiple locks if required. The primary purpose for a lockout/tagout procedure is to protect workers from injury caused by unexpected energizing or start-up of equipment.

Energy sources (electrical/pneumatic/hydraulic, etc.) for the equipment shall be turned off or disconnected and the switches locked or labeled with a warning tag. It is the responsibility of the employer to establish control procedures. Follow lockout/tagout procedures before, setup and/or any service or maintenance work is performed, including lubrication, cleaning or clearance of jams.

**Caution: The machine is still not completely de-energized even when the master switch is off.**

- Electricity - The machine is always isolated from the electrical power supply whenever the master switch has been switched off. However, this does not apply for the power supply in the control cabinet, nor for equipment that does not draw its power via the master switch.
- Pneumatic / hydraulic energy - Almost all our machines carry compressed air. In addition to switching off the master switch, the air supply must also be disconnected and the machine checked to ensure it is depressurized before starting any work on the machine; otherwise the machine may execute uncontrolled movements.

- Kinetic energy - Note that some motors or spindles, for example, may continue to run or coast run on after being switched off.
- Potential energy - Individual assemblies may need to be secured if necessary for repair work.

## Delivery of the Machine/Packaging

Note any markings on the packaging, such as weights, lifting points and special information. Avoid temperature fluctuations. Condensation may damage the machine.

## Transport Damage

The packaging and machine must immediately be examined for signs of damage in transit. Such damage must be reported to the shipper/transporter within the applicable time limits. Contact Atlanta Attachment Company and/or your transport insurer immediately, if signs of damage are visible. Never operate a damaged machine.

## Interim Storage

If the machine has to be stored temporarily, it must be oiled or greased and stored in a dry place where it is protected from the weather in order to avoid damage. A corrosion-inhibiting coating should be applied if the machine has to be stored for a longer period of time and additional precautions taken to avoid corrosion.

## Transporting the Machine

Disconnect the machine from all external connections and secure any loose assemblies or parts. Never step under a suspended load. When transporting the machine or assemblies in a crate, ensure that the ropes or arms of a forklift truck are positioned as close to the edge of the crate as possible. The center of gravity is not necessarily in the middle of the crate. Note the accident prevention regulations, safety instructions and local regulations governing transport of the machine and its assemblies.

Only use suitable transport vehicles, hoisting gear and load suspension devices that are in perfect working order and of adequate carrying capacity. Transport should only be entrusted to duly qualified personnel.

Never allow the straps to rest against the machine enclosure and never push or pull sensitive parts of the machine. Ensure that the load is always properly secured. Before or immediately after loading the machine, secure it properly and affix corresponding warnings.

All transport guards and lifting devices must be removed before the machine is started up again. Any parts that are to be removed for transport must be carefully refitted and secured before the machine is started up again.

## Workplace Environment

Our machines are designed for use in enclosed rooms: Permissible ambient temperature approx. 5 - 40 °C (40 - 104 °F). Malfunctions of the control systems and uncontrolled machine movements may occur at temperatures outside this range.

Protect against climatic influences, such as electrostatic charges, lightning strikes, hail, storm damage, high humidity, salinity of the air in coastal regions.

Protect against influences from the surroundings: no structure-borne vibrations, no grinding dust, or chemical vapors.

Protect against unauthorized access.

Ensure that the machine and accessories are set up in a stable position.

Ensure easy access for operation and maintenance (Instruction Manual and layout diagram); also verify that the floor is strong enough to carry the weight of the machine.

## Local Regulations

Particular attention must be paid to local and statutory regulations, etc. when installing machines and the plant (e.g. with regard to the specified escape routes). Note the safety zones in relation to adjacent machines.

# Maintenance

## General Safety Instructions

The machine shall be switched off, come to a standstill and be secured so that it cannot be switched on again inadvertently before starting any maintenance work whatsoever. Use proper lockout/tagout procedures to secure the machine against inadvertent startup.

Remove any oil, grease, dirt and waste from the machine, particularly from the connections and screws, when starting the maintenance and/or repair work. Do not use any corrosive-cleaning agents. Use lint-free rags.

Retighten all screw connections that have to be loosened for the maintenance and repair work. Any safety mechanisms that have to be dismantled for setting-up, maintenance or repair purposes must be refitted and checked immediately after completing the work.

## Maintenance, Care, Adjustment

The activities and intervals specified in the Instruction Manual for carrying out adjustments, maintenance and inspections must be observed and parts replaced as specified.

All hydraulic and pneumatic lines should be examined for leaks, loose connections, rubbing and damage whenever the machine is serviced. Any defects found must be remedied immediately.

## Waste, Disassembly, Disposal

Waste products should be cleared from the machine as soon as possible as not to create a fire hazard. Ensure that fuels and operating lubricants, as well as replacement parts are disposed of in a safe and ecologically acceptable manner. Note the local regulations on pollution control.

When scrapping (disassembling) the machine and its assemblies, ensure that these materials are disposed of safely. Either commission a specialist company familiar with the local regulations or note the local regulations when disposing of these materials yourself. Materials should be sorted properly.

---

# Repair

## Replacement Parts

We cannot accept any liability whatsoever for damage due to the use of parts made by other manufacturers or due to unqualified repair or modification of the machine.

## Repair, Electrical

The power supply must be switched off (master switch off) and secured so that it cannot be switched on again inadvertently before starting any work on live parts.

Those parts of the machine and plant on which inspection, maintenance or repair work is to be carried out must be isolated from the power supply, if specified. The isolated parts must first be checked to determine that they are truly de-energized before being grounded and short-circuited. Adjacent live parts must also be isolated.

The protective measures implemented (e.g. grounding resistance) must be tested before restarting the machine after all assembly or repair work on electric parts.

Signal generators (limit switches) and other electrical parts on the safety mechanisms must not be removed or bypassed. Only use original fuses or circuit overloads with the specified current rating. The machine must be switched off immediately if a fault develops in the electrical power supply.

The electrical equipment of our machines must be checked at regular intervals and any defects found must be remedied immediately.

If it is necessary to carry out work on live parts, a second person should be on hand to operate the emergency OFF switch or master switch with voltage release in the event of an emergency. The working area should be cordoned off and marked by a warning sign. Only use electrically insulated tools.

## Ventilation/Hazardous Gases

It is the end users responsibility to ensure adequate ventilation is provided to exhaust any and all noxious or hazardous gases that may be present in the working environment.

## Hydraulic and Pneumatic Systems

Work on hydraulic or pneumatic equipment shall only be carried out by persons with training, knowledge and experience of hydraulic systems. Pressure lines shall be depressurized before starting any repair work.

## General Liability

Liability for machine damage and personal injury is extinguished completely if any unauthorized conversions or modifications are undertaken. The machine must not be modified, enlarged or converted in any way capable of affecting safety without the manufacturer's prior approval.

## Starting Machine Movements

Read the Instruction Manual carefully to establish which keys and functions start machine movements.

## A Word to the End User

The end user has sole responsibility to enforce the use of safety procedures and guards on the machine. Any other safety devices or procedures due to local regulations should be should be retrofitted in accordance to these regulations and/or the EC Directive on the safety of machines.

Operator's position must always be readily accessible. Escape routes must always be kept clear and safety areas should be identified.

## Safety Precautions

Safety should be a constant concern for everyone. Always be careful when working with this equipment. While normal safety precautions were taken in the design and manufacture of this equipment, there are some potential safety hazards.

**Everyone involved with the operation and maintenance of this equipment should read and follow the instructions in this manual.**

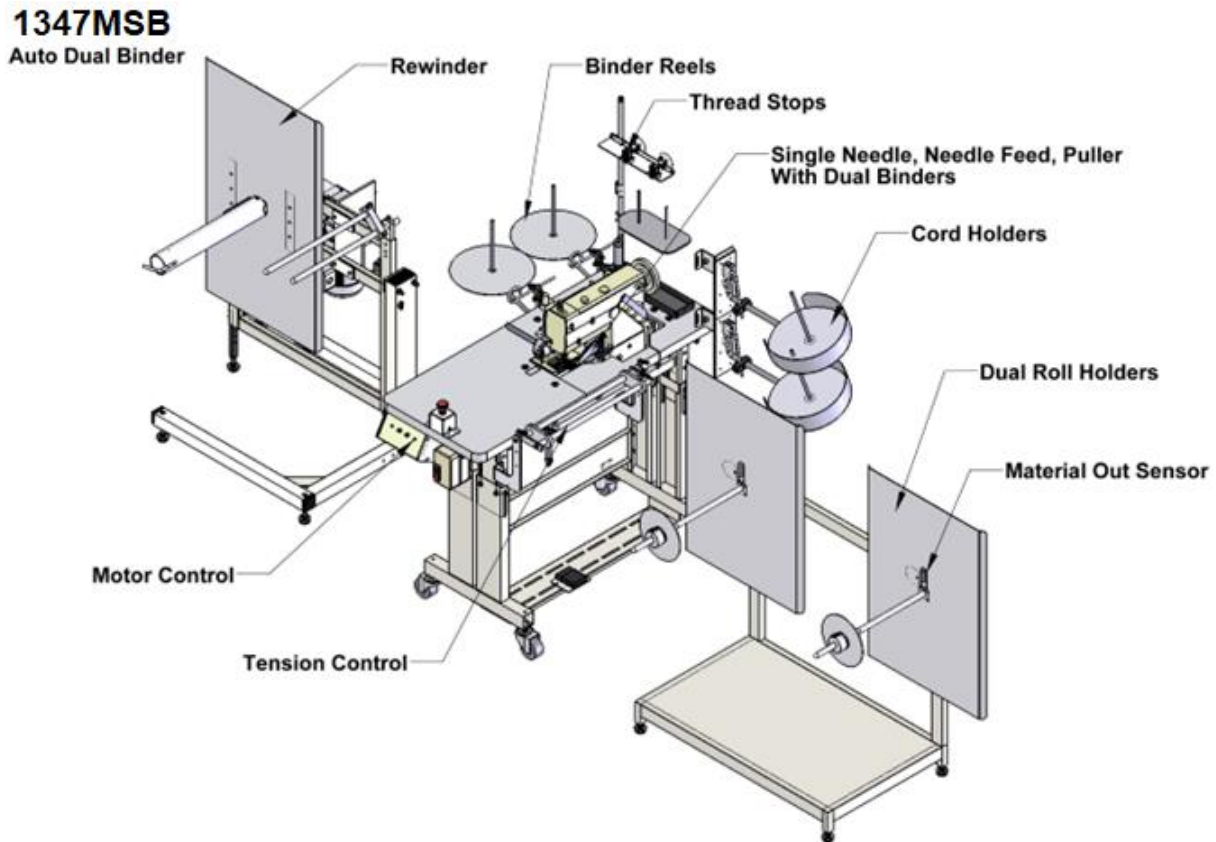
**Operate the equipment only as stated in this manual. Incorrect use could cause damage to the equipment or personal injury.**

**It is the owner's responsibility to make certain that the operator reads and understands this manual before operating this equipment. It is also the owner's responsibility to make certain that the operator is a qualified and physically able individual, properly trained in the operation of this equipment.**

Specific safety warning decals are located on the equipment near the immediate areas of potential hazards. These decals should not be removed or obliterated. Replace them if they become non-readable.

- ALWAYS keep safety shields and covers in place, except for servicing.
- ALWAYS operate equipment in daylight or with adequate working lights.
- Follow daily and weekly checklists, making sure hoses are tightly secured and bolts are tightened.
- ALWAYS watch and avoid holes or deep depressions.
- ALWAYS wear adequate eye protection when servicing the hydraulic system and battery.
- NEVER operate a poorly maintained machine.
- NEVER allow persons to operate this machine without proper instruction.
- NEVER put hands or feet under any part of the machine while it is running.
- NEVER attempt to make any adjustments or repairs to the machine while running. Repairs or maintenance should be performed by trained personnel only.
- NEVER work under the machine unless it is safely supported with stands, blocks or a hoist and blocks.
- NEVER touch hot parts of machine.

## Component Identification



This machine should include a set of roll holders for the border, tape and cording materials, a sewing console, and an electro-pneumatic rewinder. The border roll holders have a set of sensors that will stop the machine when the materials run out. The sewing console consists of a stand, a sewing head with puller, a motor, a 4000D motor controller, and a thread stand with thread break detectors. The electro-pneumatic rewinder has a continuously running AC motor with a pneumatic clutch. Winding is accomplished by applying air pressure to the clutch. Increasing or decreasing the air pressure will increase or decrease the tightness of the roll. There is also a sensor to detect when the roll is full. Some adjustment of the sensitivity will be necessary for each application. See “Electric Eye Sensor” on page 10 for instructions on how to adjust the sensitivity of the sensors. The rewinder will wind in either direction. There is a switch on the rewinder assembly to control the direction of the motor.

## Operating Instructions

Do the following steps with the machine powered off.  
Refer to the Component Identification Illustration on page 9.

- Pull the “footlift/puller lift” switch to the out position to raise the presser foot and puller.
- Load the border material onto the roll holders.
- Feed the border material into the hemmer assembly. Adjust the guides as necessary.
- Load the tape material into the tape roll holder.
- Feed the tape through the guide and into the sensor bracket and into the folder.
- Load the cording material onto the cording roll holder.
- Feed the cord through the guide and into the pipe in the folder.

Feed the materials under the presser foot and past the puller.

Push in the “foot lift/puller lift” switch to lower the presser foot and puller.

Power on the machine by pressing the “On” button on the Power On/Off box.

## Automatic Mode:

Once the steps above have been completed, press and hold the Start button on the 4000D motor controller until the Sensor Indicator light comes on. The machine will run until the material sensors indicate that a material has run out, the thread break detectors indicate a thread has broken, or the Stop button is pressed.

If the Sensor Indicator light does not come on, check the sensors located on the roll holders to insure they are seeing material.

## Manual Mode:

Once the steps above have been completed, press and hold the foot pedal to sew. This foot pedal overrides all sensors so you must release the pedal when material runs out.

Note: When the machine is stopped with the stop button on the 4000D motor controller or by pressing the Emergency Stop switch, the machine stops with power still on and the machine is in a "paused" condition. To turn power off, press the “Off” button on the Power On/Off box.

## Electric Eye Sensor

Mount the sensor so that it is 2-6” from the material to be detected. The sensor does not have to be perpendicular to the material. An angle of up to 30 degrees can be used.

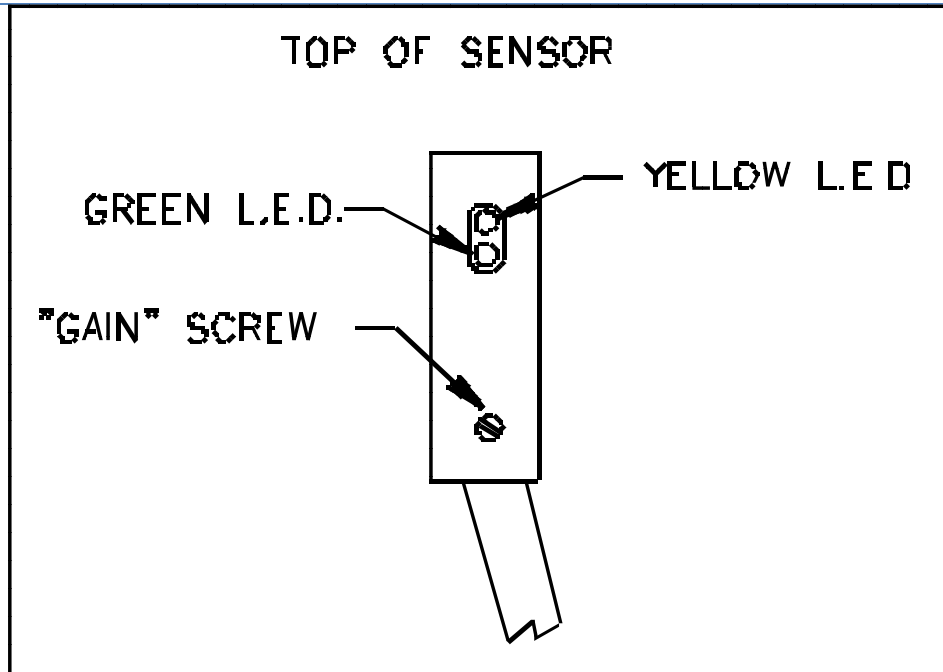
### Operation

The green LED indicates power on. If the green LED is flashing, it indicates an overload condition on the output and the sensor may be damaged. The yellow LED indicates the sensor is “seeing” material. If the yellow LED is flashing, it indicates the sensor output is marginal and the sensor needs to be adjusted.

### Adjustment

Adjust the “Gain” screw so that the yellow LED is on steady when the material is present and completely off when the material is absent.

When used as a “Roll Full Detector” on a rewinder, adjust the “Gain” so the yellow LED comes on only when the roll is full.



### Reflective Tape Maintenance

- Use a soft cloth for cleaning.
- Do not use chemicals or abrasives to clean it.
- Avoid any contact with oils and liquids.
- Do not touch the tape with bare fingers.
- If tape is dirty or opaque, the eye may not function correctly.

## Assembly Drawings & Parts Lists

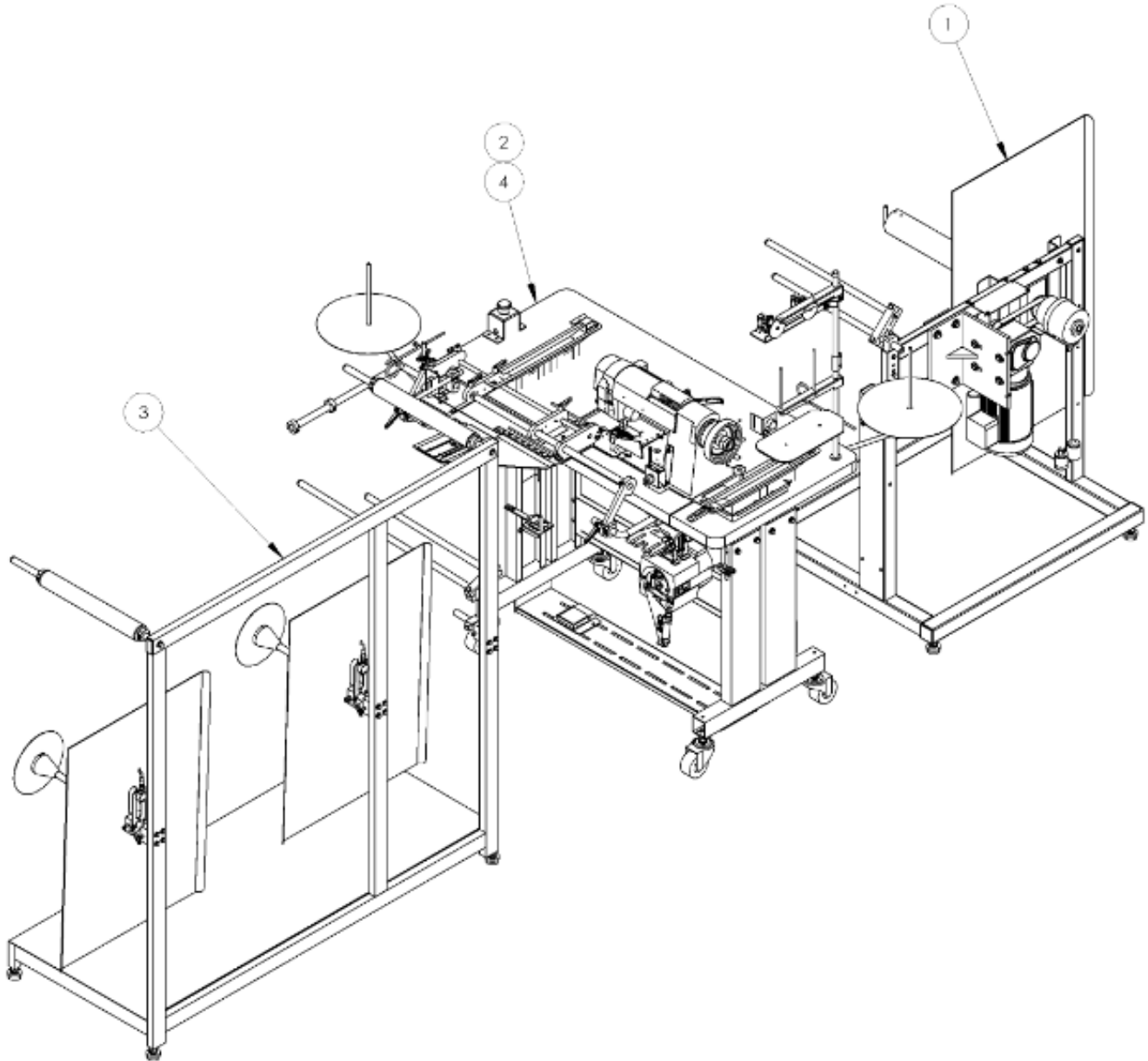
The materials contained herein are confidential and proprietary information of Atlanta Attachment Company. In addition to any confidentiality and non-disclosure obligations that currently exist between you and Atlanta Attachment Company, your use of these materials serves as an acknowledgment of the confidential and proprietary nature of these materials and your duty not to make any unauthorized use or disclosure of these materials.



**One-Stop Shopping**  
For Expendable Replacement Parts for AAC & Other Bedding Equipment Suppliers  
Toll Free: **1-866-885-5100**  
[www.atlantapartsdepot.com](http://www.atlantapartsdepot.com) • [sales@atlantapartsdepot.com](mailto:sales@atlantapartsdepot.com)

# 11347MSB Auto Dual Binder

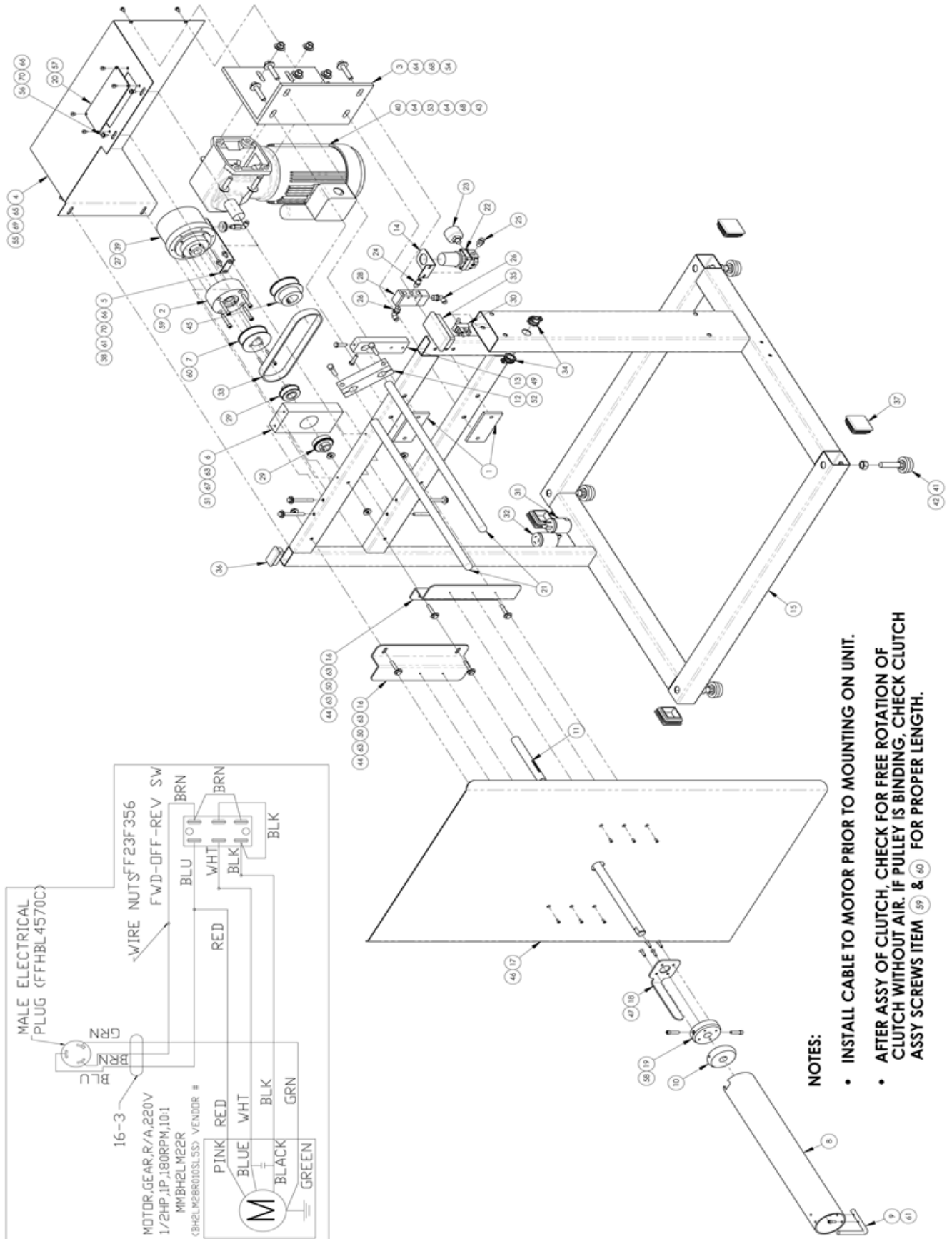
AAC Drawing Number 9002946 Rev 0



ITEM	QTY.	PART NUMBER	DESCRIPTION
1	1	1330200	REWINDER, STAND ALONE
2	1	1347536	MATERIAL EDGE GUIDE
3	1	1347544	DUAL ROLL HOLDER ASSY
4	1	1347610	WORK STATION,SINGLE BNDR
5	1	1347MA-PD	DIAGRAM, PNEUMATIC
6	1	1347MA-WD	DIAGRAM, ELECTRIC

# 1330200 Rewinder W/ Mounting Assembly

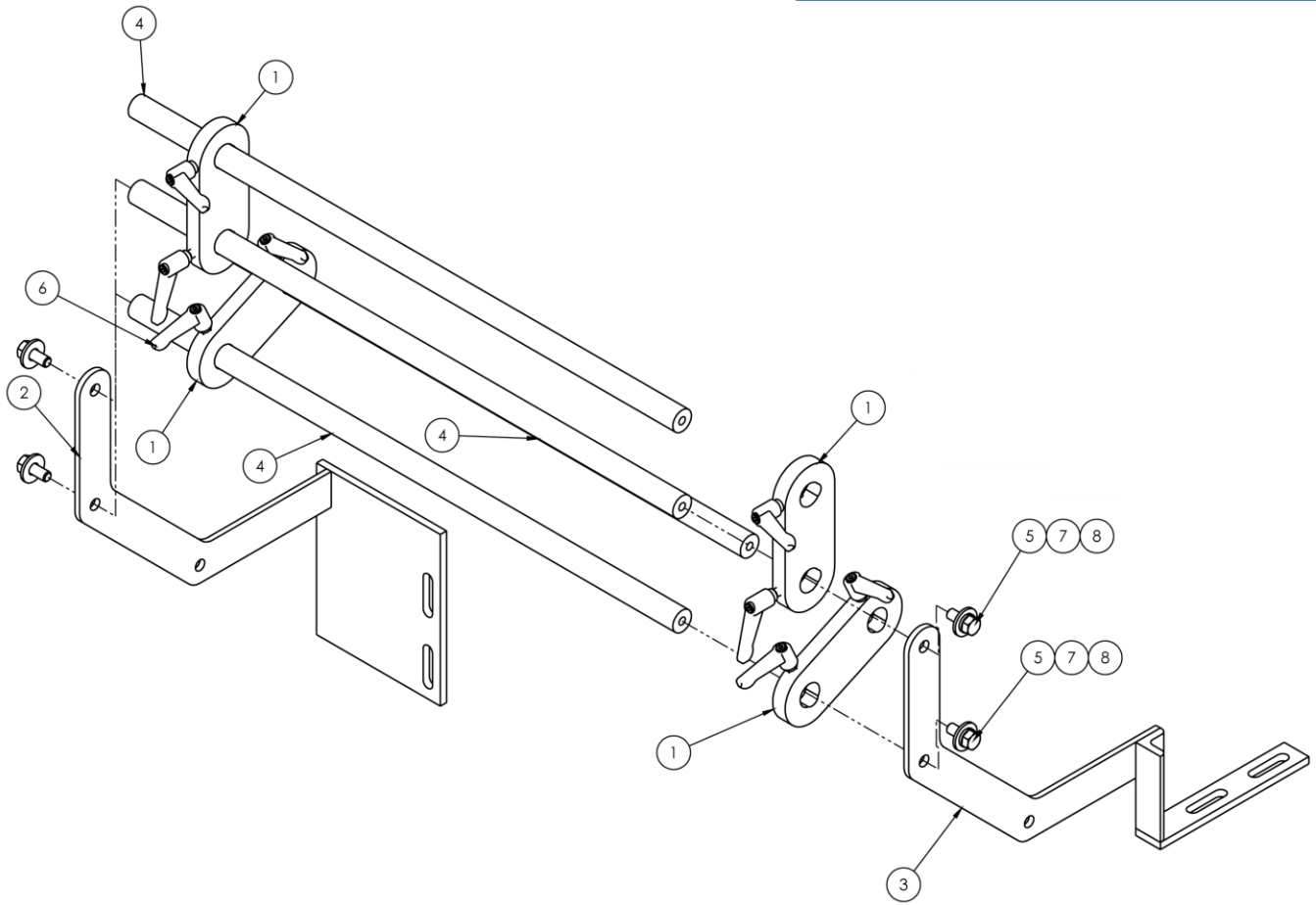
AAC Drawing Number 1330200 Rev 4



- NOTES:**
- INSTALL CABLE TO MOTOR PRIOR TO MOUNTING ON UNIT.
  - AFTER ASSY OF CLUTCH, CHECK FOR FREE ROTATION OF CLUTCH WITHOUT AIR. IF PULLEY IS BINDING, CHECK CLUTCH ASSY SCREWS ITEM (59) & (60) FOR PROPER LENGTH.

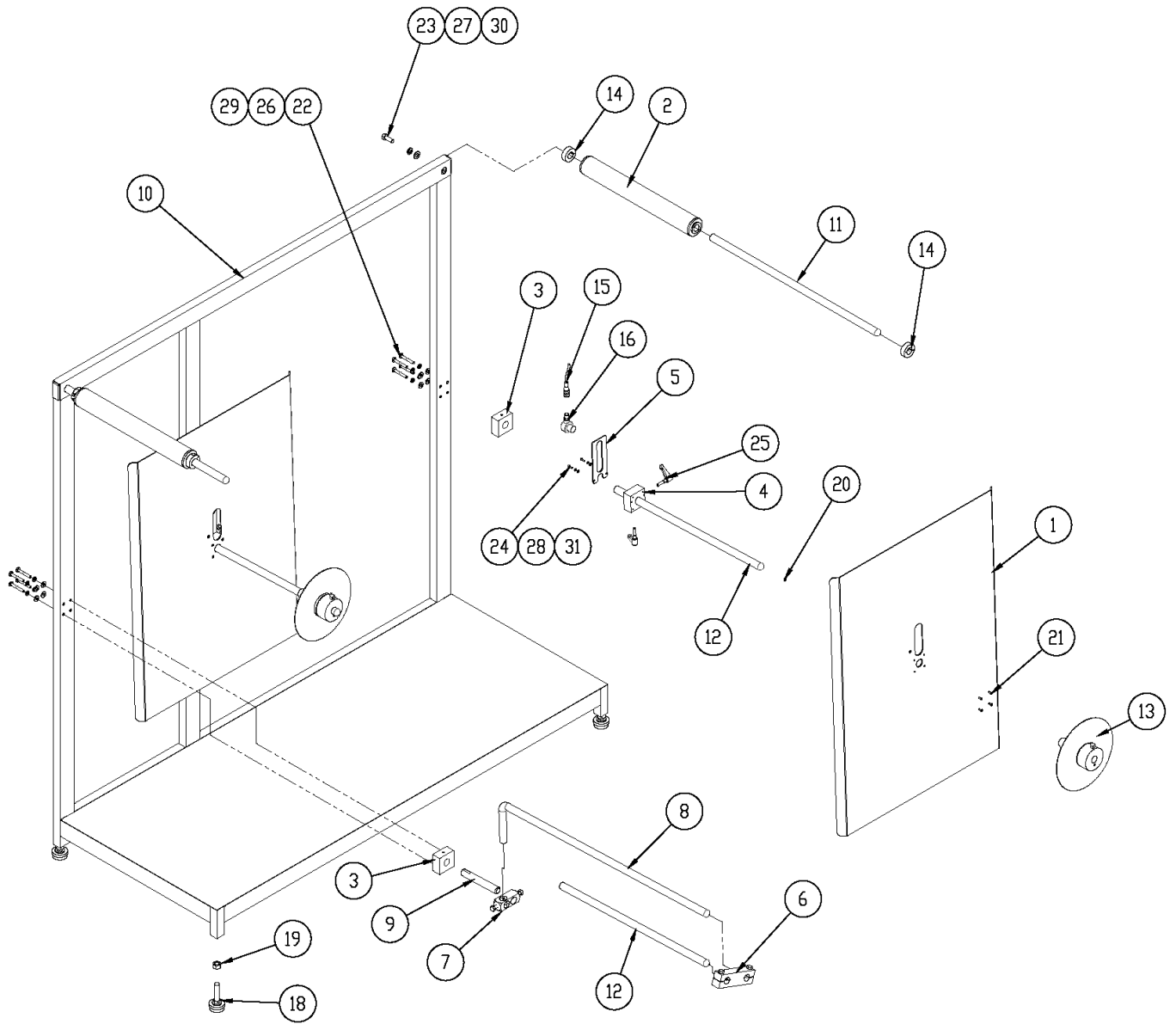
1330200 parts list

NO	QTY	PART #	DESCRIPTION	NO	QTY	PART #	DESCRIPTION
1	2	1961-319	PLATE,NUT,3/8-16@3.00 CTC	36	1	MM132-1496	PLUG 1 X 2
2	1	1961-321	PLATE, ADAPTOR, AIR CLUTC	37	4	MM9565K56	PLUG,BLACK, 2" SQ
3	1	1961-331	MOUNT, MOTOR	38	1	MM9600K21	GROMMET,RUBBER,9/16 ID
4	1	1961-332	COVER, MOTOR	39	1	MM802860	CLUTCH,AIR,3/4 BORE,4.5"D
5	1	1961-354B	SUPPORT, AIR CLUTCH	40	1	MMBH2LM22R	MOTOR,GEAR,R/A,220V
6	1	1961-365B	BLOCK, BEARING MOUNT	41	4	MMFB4444	FOOT, RUBBER
7	1	1961-366A	PULLEY,CLUTCH,22 TH,3/8 P	42	4	NNH1/2-13	NUT,HEX,1/2-13
8	1	1961-372	SLEEVE,REW IND, 18" CAP	43	4	NNH3/8-16	NUT,HEX,3/8-16
9	1	1961-374A	HANDLE,SLEEVE	44	4	NNK1/4-20	NUT,KEP,1/4-20
10	1	1961-379	SUPPORT,REW IND SLEEVE	45	1	PP22LB075-1-1/8	PULLEY, GEAR, 3/8P, 22T
11	1	1962-375	SHAFT, AIR CLUTCH, MM8028	46	6	SSFC80024	6-32 X 3/8 FLAT CAP
12	1	1962-3201	CLAMP, 3/4 ROD, 3" CTC	47	4	SSFC98048	# 10-32 X .75 SHCSF
13	1	1962-3202A	SUPPORT, TENSION PULLER	48	2	SSHC01048	1/4-20 X 3/4 HEX CAP
14	1	4130-001	REGULATOR BRACKET	49	2	SSHC01064	1/4-20 X 1 HHCS
15	1	1330315	REWINDER MOUNTING	50	4	SSHC01096	1/4-20 X 1-1/2 HHCS
16	2	1334326	MOUNT, FLANGE	51	4	SSHC01160	1/4-20 X 2-1/2 HHCS
17	1	1334376	PLATE,REW IND,24 X 40	52	2	SSHC10096	5/16-18 X 1-1/2 HHCS
18	1	1334387	CATCH, MATL. TAKEUP REEL	53	4	SSHC25096	3/8-16 X 1 1/2 HHCS
19	1	1334388	HUB, TAKEUP SPINDLE	54	4	SSHC25128	3/8-16 X 2 HEX CAP
20	1	1961104	COVER, INSPECTION	55	2	SSPP90024	8-32X3/8 PAN PHLPS
21	2	33008202	ROD,ROLL,SST,3/4X21 W/RAD	56	4	SSPP98032	10-32 X 1/2 PAN PHIL
22	1	AA198-502	REGULATOR,AIR,0-30 PSI	57	4	SSPS95016	# 10-24 X 1/4 PAN HD SLTD
23	1	AA198-5032	0-60PSI AIR GAGE 1/8NPT	58	2	SSSC01064	1/4-20 X 1 SOC CAP
24	1	AAF122A-A	1/8" NPT HEX CLOSE	59	4	SSSC01096	1/4-20 X 1-1/2 SOCCAP
25	1	AAQMC-4-8	QUICK MALE CONNECT	60	3	SSSC90064	# 8-32 X 1 SOC CAP SC
26	2	AAQME-5-4	ELBOW, MALE 5/32X1/4NPT	61	4	SSSC98032	10-32X1/2, SOCCAP
27	1	AAQMEL-5-8	QUICK MALE ELBOW ,LONG	62	2	SSSS01016	1/4-20 X 1/4 KNURL PT
28	1	AAV125B	PILOT VALVE	63	12	WWF1/4	W ASHER, FLAT, 1/4", COM
29	2	BS8703-88	BEARING,BALL,75IDX1.75OD	64	12	WWF3/8	W ASHER,FLAT,3/8 OR 10MM
30	1	FF23F356	DPDT SWITCH,ON-OFF-ON	65	2	WWF8	W ASHER, FLAT, #8
31	1	FFHBL4570C	PLUG, 2P/3W , GROUNDING	66	6	WWF10	W ASHER, FLAT, #10, COM
32	1	FFHBL4579C	RECEPTACLE,3 POLE,3W	67	6	WWL1/4	W ASHER,LOCK,1/4
33	1	GG225L075	BELT, 3/8P, 60T, 3/4W	68	8	WWL3/8	W ASHER,LOCK, 3/8
34	2	K-235	CONNECTOR,ROMEX,1/2"	69	2	WWL8	W ASHER,LOCK,#8
35	1	MM132-2X4	END CAP,RECT,BLACK	70	6	WWL10	W ASHER,LOCK,#10



### 1347544 Dual Roll Holder Assembly

AAC Drawing Number 1347544 Rev 0

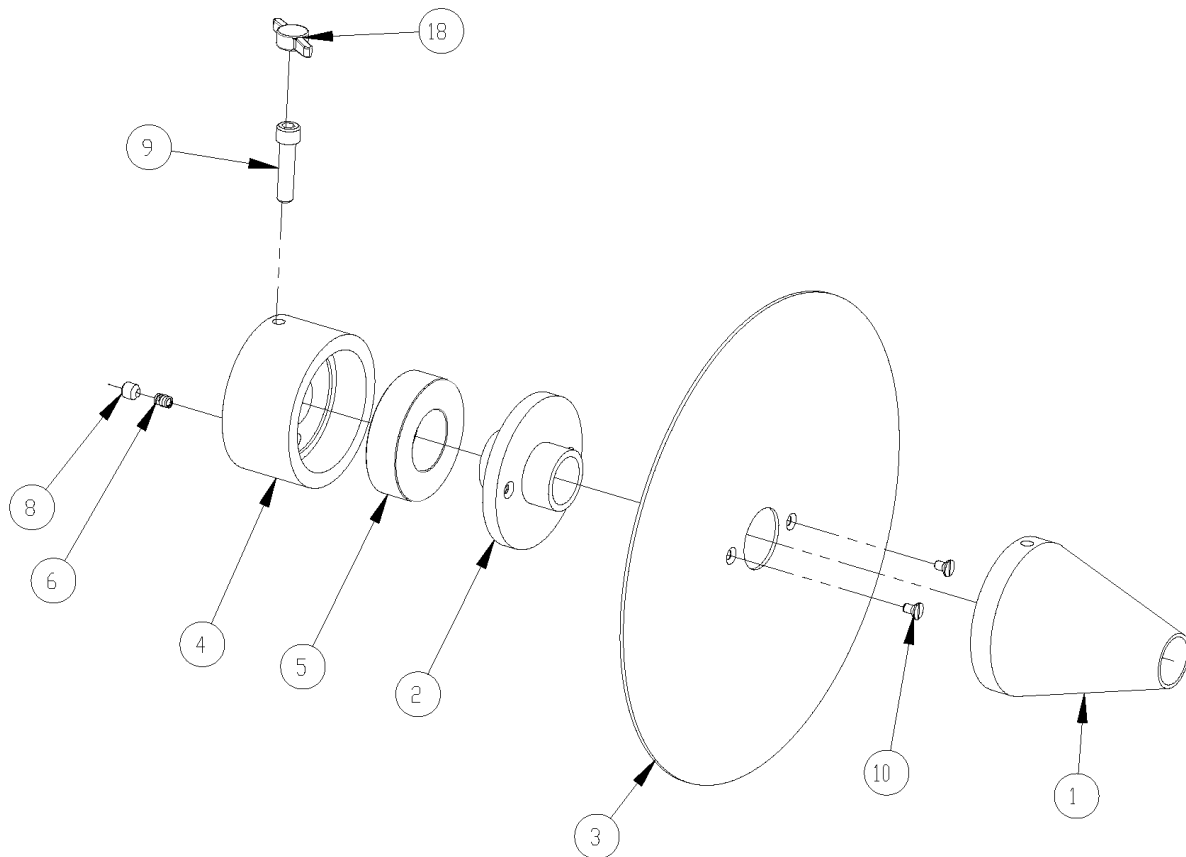


1347544 parts list

NO.	QTY	PART#	DESCRIPTION
1	2	784B-2432	PLATE, ALU
2	2	1961-204	ROLLER,15.5L,2 OD,.75 ID
3	3	1961-251C	HUB UNWIND SHAFT
4	2	1961-253A	HUB, UNWIND STAND
5	2	1961-255	BRACKET, SENSOR MTG
6	1	1962-3201	CLAMP,3/4ROD,3"CTC
7	1	28201	BLOCK,CROSS,(LARGE)
8	1	1347436	ROD, BENT, 90 DEG
9	1	1347437	ROD,SST,3/4 X 5,TAPPED
10	1	1347545	FRAME,DUAL ROLL HLDR
11	2	32005004	ROD,SS,3/4 X 24.0L
12	3	33008202	ROD,ROLL,SST,3/4X21 W/RAD
13	2	33008708	DISC ASSY,8"
14	4	CCCL12F	CLAMP COLLAR- 3/4
15	2	FFRK44T-4	CABLE,EYE,12',NO END
16	2	FFT18FF100Q	EYE,FIXED FIELD, 4IN
17	2	MM132-1496	PLUG 1 X 2
18	4	MMFB4444	FOOT, RUBBER
19	4	NNH1/2-13	1/2-13 HEX NUT
20	2	NNH6-32	NUT,HEX,6-32
21	8	SSBC80024	6-32 X 3/16 BUT HEAD
22	12	SSHC01112	HEX HEAD BOLT 1/4-20X1.75
23	2	SSHC25064	3/8-16X1,HEX CAP
24	4	SSSC80024	6-32 X 3/8 SOC CAP SC
25	4	TTH32416	HANDLE,THRD,1/4-20X1-1/8
26	12	WWFS1/4	WASHER,FLAT,SAE,1/4
27	2	WWFS3/8	WASHER, FLAT, 3/8
28	4	WWFS6	WASHER, FLAT, #6
29	12	WWL1/4	WASHER,LOCK,1/4
30	2	WWL3/8	3/8 LW
31	4	WWL6	WASHER,LOCK,#6

### 33008708 Ball Bearing Disc Assembly

AAC Drawing Number 9000904 Rev 4

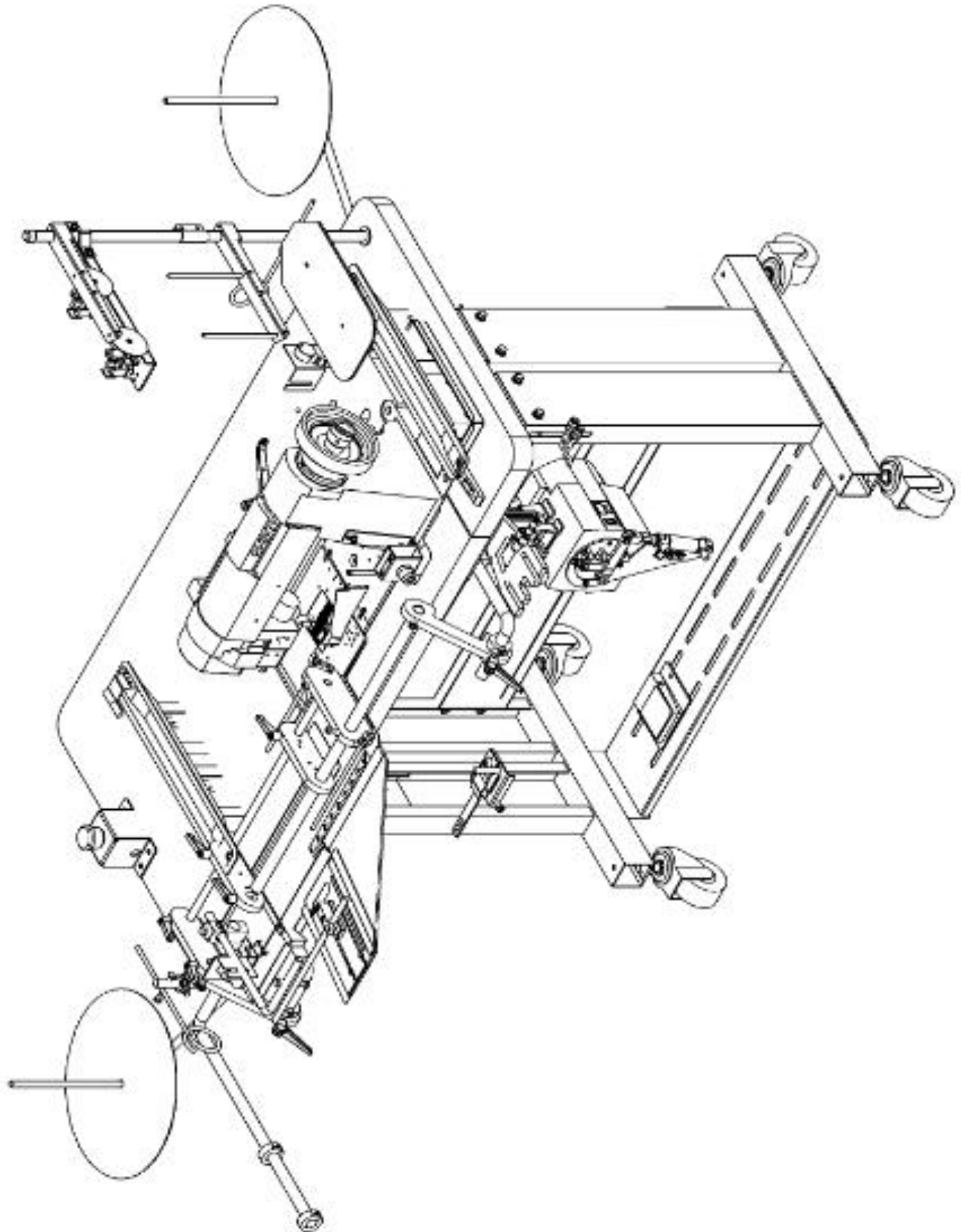


NO.	QTY	PART#	DESCRIPTION
1	1	33008604	CONE, SPOOL
2	1	33008602	HUB, FLANGE 3/4 BORE
3	1	SEE CHART	SEE CHART
4	1	33008601	HUB, CENTER, 3/4 SHAFT
5	1	BB23216-88	BEARING,BALL,1.0B
6	1	RRLC026B1	SPRING,COMP .026X.18X.25
7	1	JJ012	3/16" STAINLESS BALL
8	1	SSSP01016	1/4-20 X 1/4 NYLOCK
9	1	SSSC01064	1/4-20 X 1 SOC CAP
10	2	SSFS80016	6-32 X 1/4, FLAT SLOT

-	BALL BEARING	DISC ASSEMBLY	33008732
3	1	33008632	DISC 32" DIA
-	BALL BEARING	DISC ASSEMBLY	33008724
3	1	33008624	DISC 24" DIA
-	BALL BEARING	DISC ASSEMBLY	33008716
3	1	33008616	DISC 16" DIA
-	BALL BEARING	DISC ASSEMBLY	33008708
18	1	SSW#1/4	WING SCREW KNOB

**1347610 Workstation, Singer 300U194A**

AAC Drawing Number 1347610 Rev 1

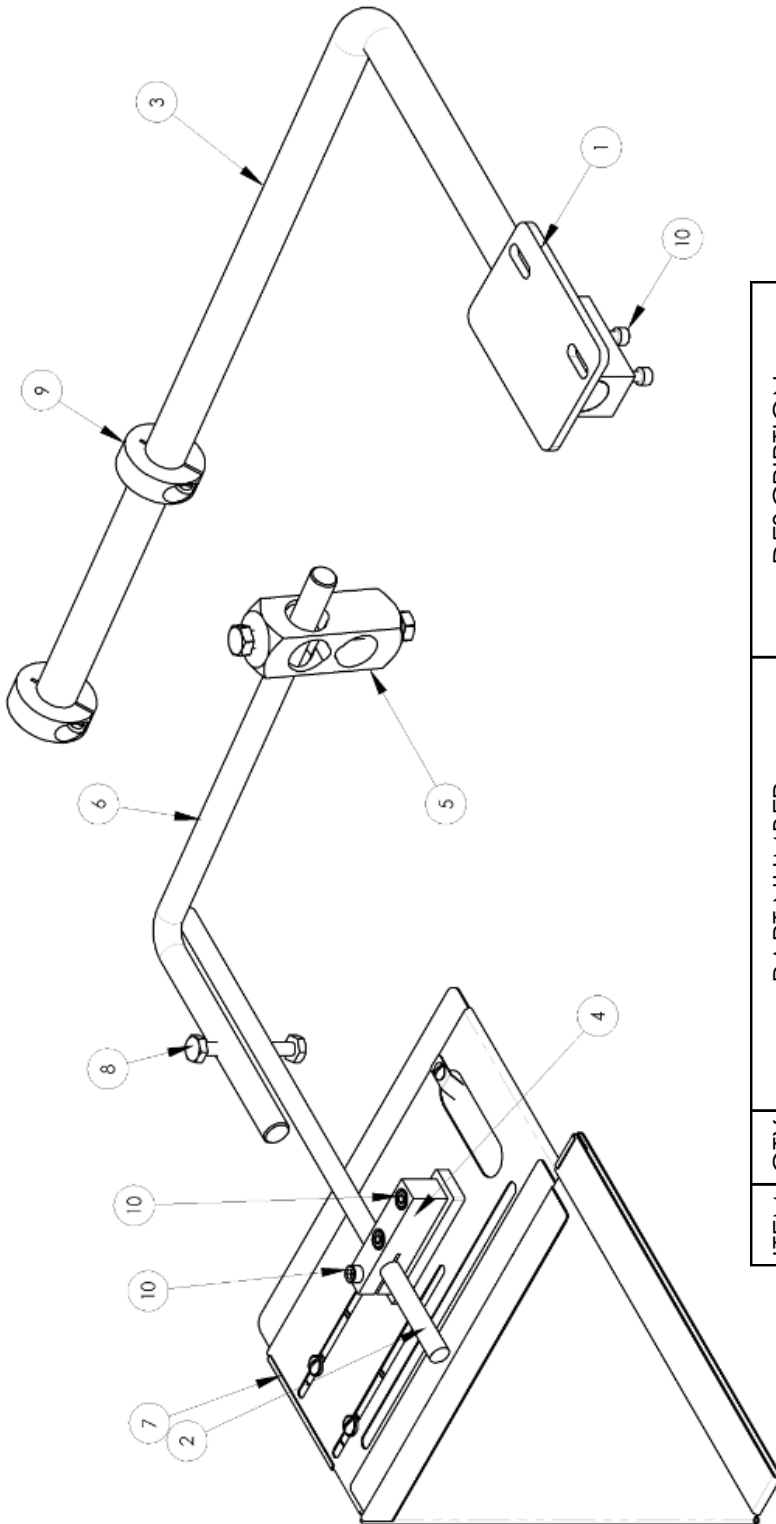


1347610 parts list

ITEM	QTY.	PART NUMBER	DESCRIPTION
1	1	0411-069B	BRKT, THREAD BREAK DETECT
2	1	0411-070	CLAMP, SENSOR BRACKET
3	2	1347116	RING,TAPE GUIDE
4	2	1347431	BRACKET,PROX SENSOR
5	1	1347443	FLANGER ASSY
6	1	1347447	BRACKET,EYE
7	1	1347480	HEMMER, 5/8 CAP,SGL FOLD
8	1	1347611	TABLE & STAND ASSY,SING
9	1	1347613	SEWING HEAD ASSEMBLY
10	1	1959-112	2 POS THREAD PLATE ASSY
11	1	1975-412A	PLATE,NUT,4-40,.95CTC
12	1	199-EC-13C	H/D MATTRESS BINDER W/CRD
13	1	213-005Y	PUSH BUTTON ASSY, YELLOW
14	1	26151	TOOL TRAY, 1X3.5X9
15	2	4003-IS3WT2C	SENSOR,THREAD BRK,1278-8
16	2	780-U-1224	UNIV BIND REEL,BB,WITH
17	2	A-U	ROD CROSS BLOCK
18	1	AA198-5102	REG W/FILTER, GAUGE, BRKT, NUT, & AAQME-4-8 FITTINGS
19	1	AAQSU-5-5	UNION,QUICK STATION,5/32
20	1	AAQUY-4-4	Y UNION, 1/4X1/4
21	1	EEFE-RR2	TAPE,REFLECTIVE,1" WIDE
22	1	F199-Y1	BRKT,SWING OUT
23	2	FFRK44T-4	CABLE,EYE,12',NO END
24	1	FFSM312LVQ	EYE,ELECTRIC,10-30VDC
25	2	FFT18FF100Q	EYE,FIXED FIELD, 4IN
26	2	SSPS70048	#4-40 X 3/4 PAN HD SLOT
27	2	HX-SHCS 0.19-32x1.5x1.125-C	
28	2	WWFS10	WASHER, FLAT #10
29	2	WWL10	#10 LW

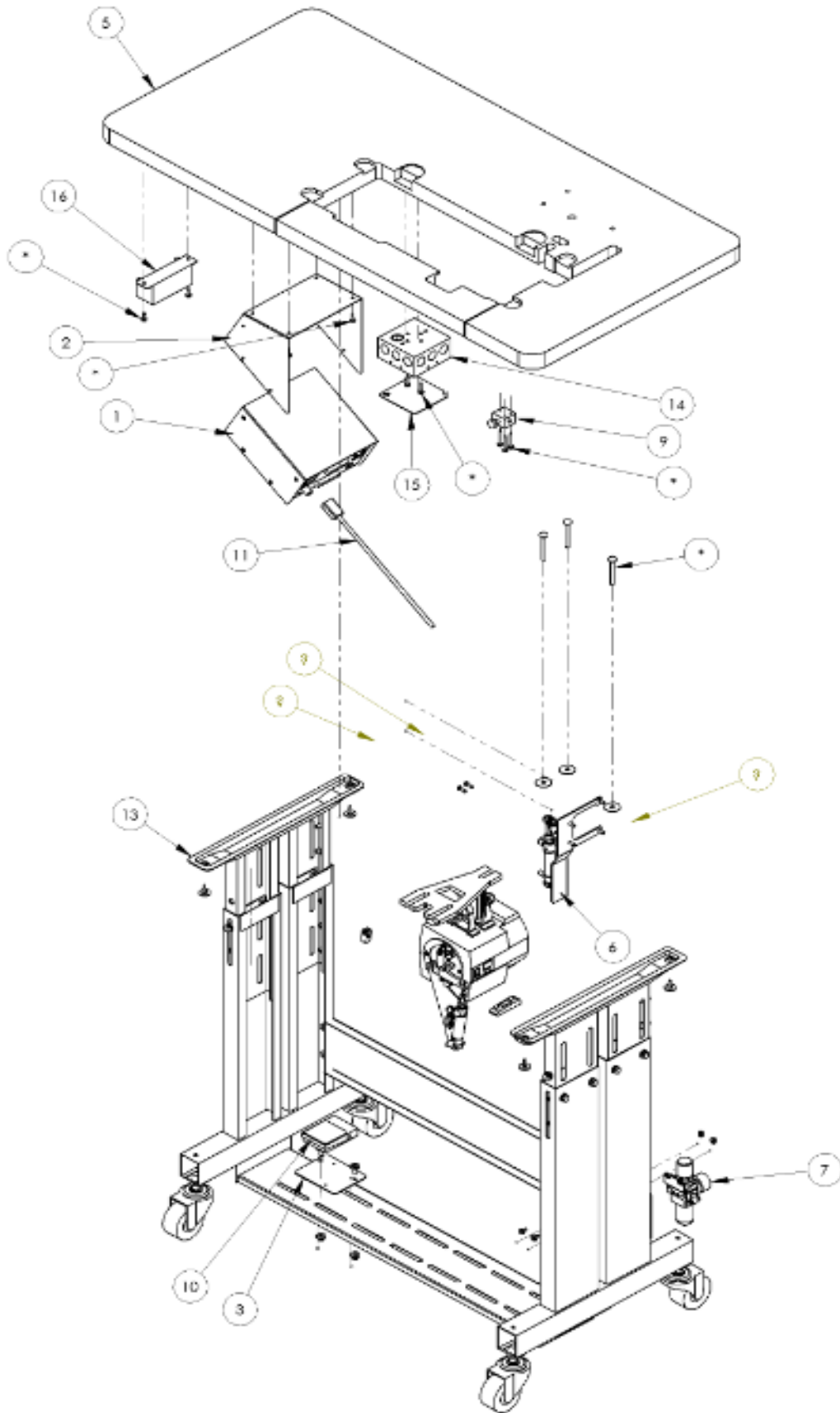
1347443 Flanger Assembly

AAC Drawing Number 1347443 Rev 5



ITEM	QTY	PART NUMBER	DESCRIPTION
1	1	1278-6206	BLOCK BASE ASSEMBLY
2	1	1335-320B	ROD, ST, S/S, 11" L
3	1	1959-035	ROD, BENT, 90 DEG
4	1	23080A	BLOCK, CLAMP, EYE
5	1	28201	CROSS BLOCK, 3/4 X 3/4
6	1	1347466	ROD, BENT, S.S., .5X9X5
7	1	1347910	FLANG GUIDE, 4-8" CAP
8	1	A-U	ROD CROSS BLOCK
9	2	CCCL12F	CLAMP COLLAR- 3/4
10	5	HX-SHCS 0.19-32x1.5x1.125-C	

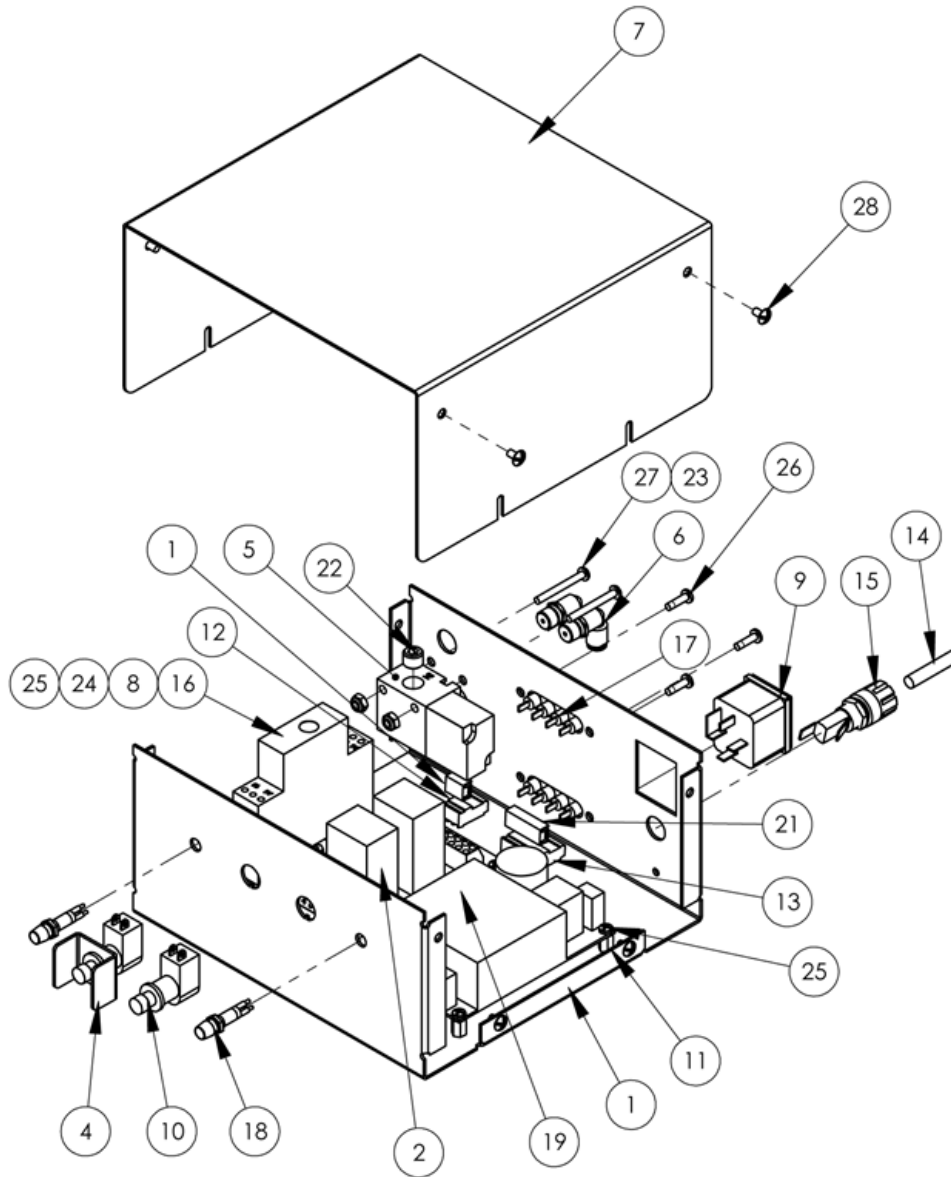
1347611 Table and Stand Assembly  
AAC Drawing Number 1347611 Rev 2



1347611 parts list

ITEM	QTY.	PART NUMBER	DESCRIPTION
1	1	4000D-500	CONTROL BOX
2	1	1959-120	BRKT,MOUNTING,4000D
3	1	1961-159	PLATE, MOUNT, FOOT PEDAL
4	1	4005	BUTTON,STOP
5	1	4048-300U	TABLE TOP,48X24,300U
6	1	4059067	MOTOR LEVER ASSY
7	1	AA198-5102	REG W/FILTER, GAUGE, BRKT, NUT, & AAQME-4-8 FITTINGS
8	1	AATP5/32	5/32"O.D. POLYURETHANE AI
9	1	AAVMB33	SWITCH,AIR,3 WAY,W/EXH
10	1	EE24F163	FOOTSWITCH, TREADLITE
11	1	EE37F3311	CEE POWER CORD, 6'
12	1	EE8205	CABLE,2 COND 20 AWG
13	1	K-4D	
14	1	K-233	BOX,ELECTRICAL,SQUARE
15	1	K-234	COVER,4IN SQUARE
16	1	T75	ON/OFF 1PH SWITCH BOX, ONLY
17	1	TTAA5267	TERMINAL, FE,INS,18-22
18	1	4058-3	MOTOR ASSY, 3/4HP, 220V

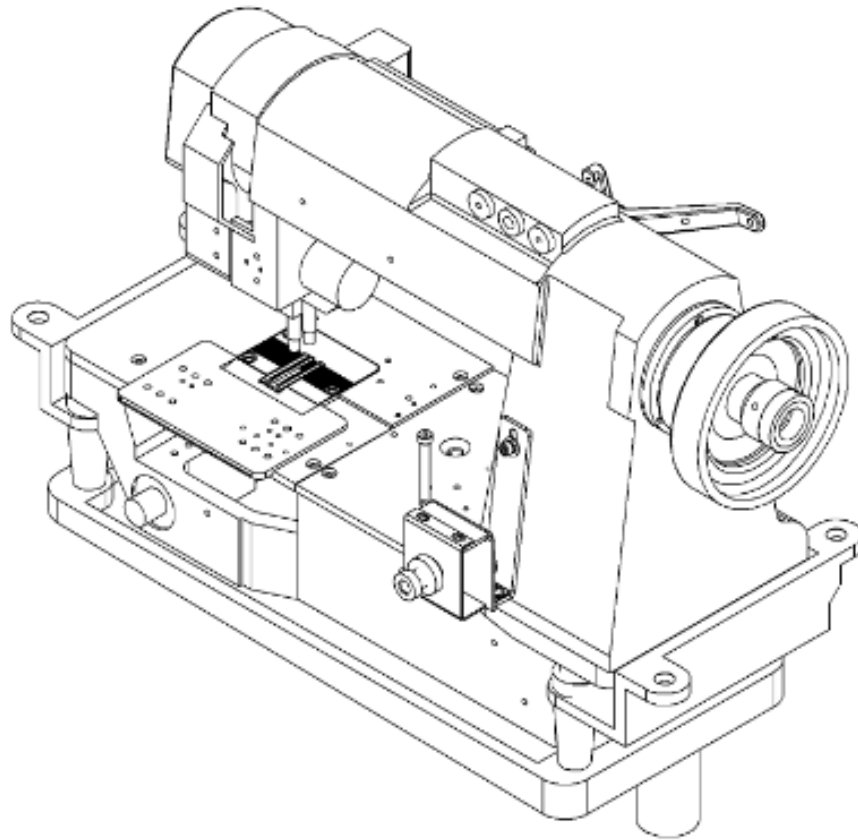
4000D-500 CONTROL BOX, 4000D  
AAC Drawing Number 9005195 Rev 1



NO	QTY	PART #	DESCRIPTION	NO	QTY	PART #	DESCRIPTION
1	1	4000D-01	BOX BOTTOM,PLAIN	15	1	FF342838A	FUSE HOLDER, PANEL MOUNT
2	1	4000D-02	PC BOARD, RELAY	16	1	FF700-FEA3TU23	RELAY,TIMER,DIN,ON DELAY
3	1	4000D-WD4	WIRING DIAGRAM, W/TIMER	17	2	FFGFTS-4	BLOCK,4 POLE TERMINAL
4	1	1330183	SWITCH GUARD, 15/32 MOUNT	18	2	FFLP24VA	CABLE, LAMP AMBER 24 V
5	1	AAE45A24D	VALVE,AIR,SOL,4-WAY	19	1	FFNFS40	POWER SUPPLY,SWITCHING
6	2	AAQME-5-8	QUICK MALE ELBOW	20	1	FFSC15603	COVER, STRAIN RELIEF
7	1	AP-28-603	BOX TOP	21	1	FFSC15606	COVER, STRAIN RELIEF
8	*1.5"	EETS35X7.5A	DIN RAIL-AMERICAN	22	1	MM4554K11	PLUG, 1/8" PIPE
9	1	FF10ESB1C	CONNECTOR,POWER ENTRY	23	2	NNE6-32	NUT,ELASTIC LOCK,6-32
10	2	FF23F118	SWITCH, PUSHBUTTON	24	2	NNK6-32	KEP NUT, 6-32
11	8	FF67F4078	SPACER,THREADED 3/8 L	25	18	SSPP80016	#6-32X1/4 PAN PHILLIPS
12	1	FF156F1803	CONN,18GA,3P,ORN	26	4	SSPP80032	#6-32X1/2 PAN PHILLIPS
13	1	FF156F2206	CONN,22GA,6P,RED	27	2	SSPS80080	#6-32 X 3/8 LG PAN HD
14	1	FF313500	FUSE,1/2A SLO BLO,3AG	28	8	SSTP80016	6-32 X 1/4 TRUSS PH.

1347613 Sewing Head Assembly, Singer 300U

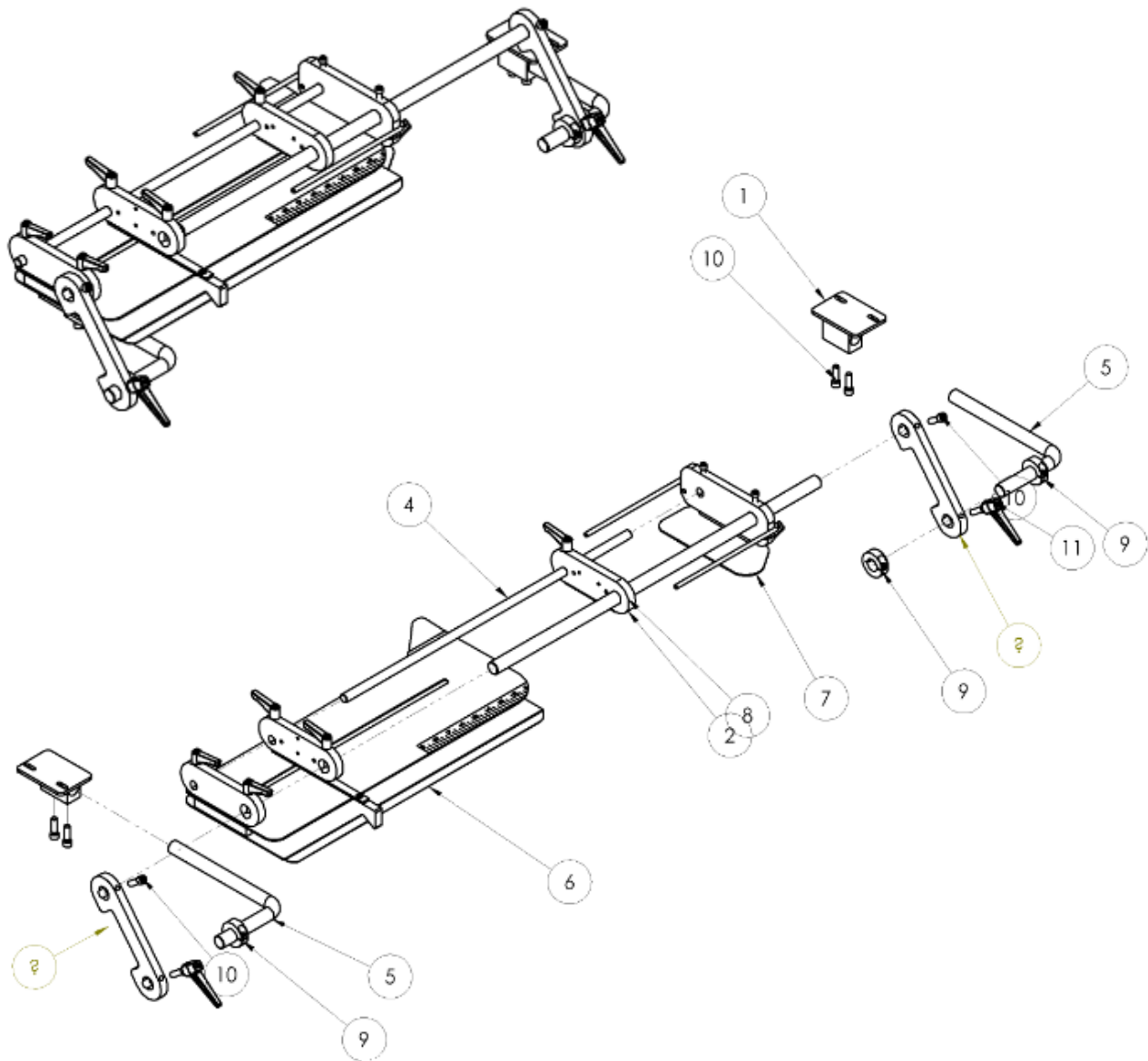
AAC Drawing Number 1347613 Rev 0



ITEM	QTY.	PART NUMBER	DESCRIPTION
1	1	160071	COVER,END,MODIFIED
2	1	1338115	BRKT, TENSION FOLDER
3	1	267701-451M	BACK COVER,MOD
4	1	311-128	HUB, HANDWHEEL, TAPE MOUN
5	1	311-129	SLEEVE TAPE MOUNT ADJUST
6	1	32827M	FEED PLATE MODIFIED
7	1	415026-451M	LEFT CLOTH PLATE
8	1	415028M	FRONT CLOTH PLATE
9	1	415036-451M	CLOTH PLATE, RIGHT
10	1	F221-T008	TENSIONER BOX ASSY,2" MAX
11	1	SSAS016128	SHOULDER BOLT 1/4 X 2.0L
12	2	SSBC98016	#10-32 X 1/4 BUT HD.
13	1	SSIN-300U194A	SEWING HEAD,SN,WF,FB,CS
14	2	SSSCM5X14	SCREW,SOC CAP,M5-0.8 X 14
15	4	WWFS10	WASHER, FLAT, #10, SAE
16	2	WWL10	WASHER,LOCK,#10

1347480 Hemmer, 5/8" Capacity, Single Fold

AAC Drawing Number 1347480 Rev 1



ITEM	QTY.	PART NUMBER	DESCRIPTION
1	2	1278-6206	BLOCK BASE ASSEMBLY
2	1	1347395	EDGE GUIDE ASBLY
3	2	1347416	EDGE GUIDE,END PLATE
4	1	1347430	ROD,S/S,1/2X22.0
5	2	1347433	ROD, BENT, 90 DEG
6	1	1347479	GUIDE ASSY,FOLDER 5/8 CAP
7	1	1347481	FOLDER TONGUE ASSY
8	1	1349473	ROD,SS,3/4 X 35.625L
9	3	CCCL12F	CLAMP COLLAR- 3/4
10	6	SSSC10064	5/16-18 X 1 SOCKET CAP
11	2	TTH32426	HANDLE,THRD,5/16-18X1-1/4





# Atlanta Attachment Company (AAC) Statement of Warranty

## Manufactured Products

Atlanta Attachment Company warrants manufactured products to be free from defects in material and workmanship for a period of eight hundred (800) hours of operation or one hundred (100) days whichever comes first. Atlanta Attachment Company warrants all electrical components of the Serial Bus System to be free from defects in material or workmanship for a period of thirty six (36) months.

## Terms and Conditions:

- AAC Limited Warranty becomes effective on the date of shipment.
- AAC Warranty claims may be made by telephone, letter, fax or e-mail. All verbal claims must be confirmed in writing.
- AAC reserves the right to require the return of all claimed defective parts with a completed warranty claim form.
- AAC will, at its option, repair or replace the defective machine and parts upon return to AAC.
- AAC reserves the right to make the final decision on all warranty coverage questions.
- AAC warranty periods as stated are for eight hundred (800) hours or one hundred (100) days whichever comes first.
- AAC guarantees satisfactory operation of the machines on the basis of generally accepted industry standards, contingent upon proper application, installation and maintenance.
- AAC Limited Warranty may not be changed or modified and is not subject to any other warranty expressed or implied by any other agent, dealer, or distributor unless approved in writing by AAC in advance of any claim being filed.

## What Is Covered

- Electrical components that are not included within the Serial Bus System that fail due to defects in material or workmanship, which are manufactured by AAC are covered for a period of eight hundred (800) hours.
- Mechanical parts or components that fail due to defects in material or workmanship, which are manufactured by AAC.
- Purchased items (sewing heads, motors, etc.) will be covered by the manufacturers (OEM) warranty.
- AAC will assist in the procurement and handling of the manufacturers (OEM) claim.

## What Is Not Covered

- Parts that fail due to improper usage, lack of proper maintenance, lubrication and/or modification.
- Damages caused by; improper freight handling, accidents, fire and issues resulting from unauthorized service and/or personnel, improper electrical, plumbing connections.
- Normal wear of machine and parts such as Conveyor belts, "O" rings, gauge parts, cutters, needles, etc.
- Machine adjustments related to sewing applications and/or general machine operation.
- Charges for field service.
- Loss of time, potential revenue, and/or profits.
- Personal injury and/or property damage resulting from the operation of this equipment.

# Declaración de Garantía

## Productos Manufacturados

Atlanta Attachment Company garantiza que los productos de fabricación son libres de defectos de material y de mano de obra durante un período de ochocientos (800) horas de operación o cien (100) días, cual llegue primero. Atlanta Attachment Company garantiza que todos los componentes del Serial Bus son libres de defectos de material y de mano de obra durante un periodo de treinta y seis (36) meses.

## Términos y Condiciones:

- La Garantía Limitada de AAC entra en efecto el día de transporte.
- Reclamos de la Garantía de AAC pueden ser realizados por teléfono, carta, fax o correo electrónico. Todo reclamo verbal tiene que ser confirmado vía escrito.
- AAC se reserva el derecho de exigir el retorno de cada pieza defectuosa con un formulario de reclamo de garantía.
- AAC va, según su criterio, a reparar o reemplazar las máquinas o piezas defectuosas devueltas a AAC.
- AAC se reserva el derecho para tomar la decisión final sobre toda cuestión de garantía.
- Las garantías de AAC tiene una validez de ochocientas (800) horas o cien (100) días, cual llega primero.
- AAC garantiza la operación satisfactoria de sus máquinas en base de las normas aceptadas de la industria siempre y cuando se instale use y mantenga de forma apropiada.
- La garantía de AAC no puede ser cambiada o modificada y no está sujeto a cualquier otra garantía implicada por otro agente o distribuida al menos que sea autorizado por AAC antes de cualquier reclamo.

## Lo Que Está Garantizado

- Componentes eléctricos que no están incluidos dentro del sistema Serial Bus que fallen por defectos de materiales o de fabricación que hayan sido manufacturados por AAC, son garantizados por un período de ochocientas (800) horas.
- Componentes mecánicos que fallen por defectos de materiales o de fabricación que hayan sido manufacturados por AAC, son garantizados por un período de ochocientas (800) horas.
- Componentes comprados (Motores, Cabezales) son protegidos debajo de la garantía del fabricante.
- AAC asistirá con el manejo de todo reclamo de garantía bajo la garantía del fabricante.

## Lo Que No Está Garantizado

- Falla de repuestos a raíz de uso incorrecto, falta de mantenimiento, lubricación o modificación.
- Daños ocurridos a raíz de mal transporte, accidentes, incendios o cualquier daño como resultado de servicio por personas no autorizados o instalaciones incorrectas de conexiones eléctricas o neumáticas.
- Desgaste normal de piezas como correas, anillos de goma, cuchillas, agujas, etc.
- Ajustes de la máquina en relación a las aplicaciones de costura y/o la operación en general de la máquina.
- Gastos de Reparaciones fuera de las instalaciones de AAC
- Pérdida de tiempo, ingresos potenciales, y/o ganancias.

Daños personales y/o daños a la propiedad como resultado de la operación de este equipo



**Atlanta Attachment Company**  
362 Industrial Park Drive  
Lawrenceville, GA 30046  
770-963-7369  
[www.atlatt.com](http://www.atlatt.com)

**Printed in the USA**