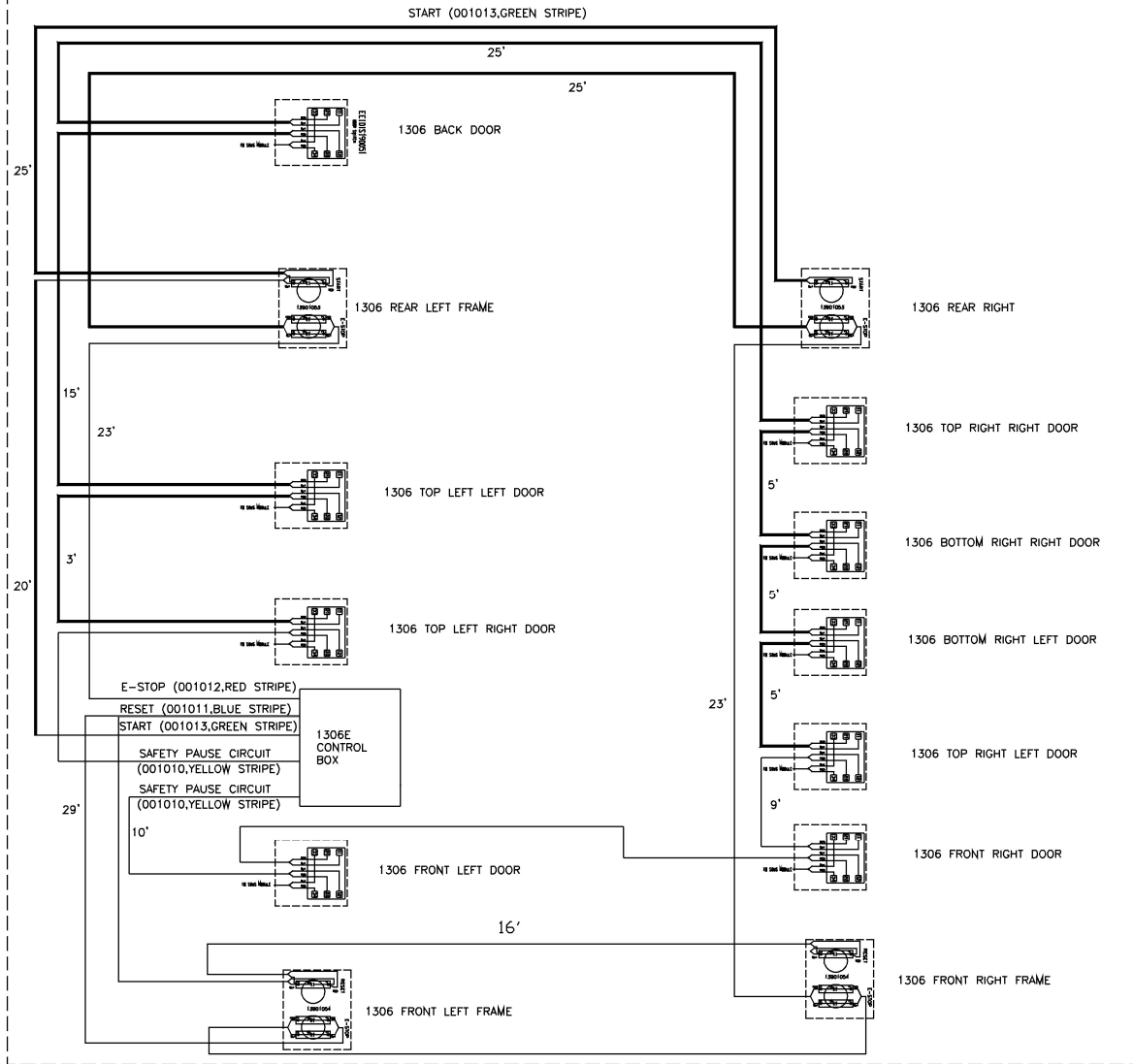


# 1306F ROLL PACK



76'	11	CABLE, 2C, GRN STRIPE	001013
217'	10	CABL F. 2C, RED STRIPE	001012
102'	9	CABLE, 2C, BLUE STRIPE	001011
239'	8	CABLE, 2C, YEL STRIPE	001010
67'	7	SAFETY LINK CABLE	FF881812
1	6	SAFETY LINK J-BOX	13901059
1	5	E-STOP J-BOX	13901058
2	4	BTN BOX, RESET(BLUE)	13901055
4	3	BTN BOX, E-STOP/RESET	13901054
4	2	BTN BOX, E-STOP/START	13911053
15	1	TONGUE SAFETY SWITCH	EECDIS190051
QTY	REV	DESCRIPTION	PART NO.
REQD. NO.			STOCK SIZE

NO.1		REVISION	DATE	DR.	LOC.	ATLANTA ATTACHMENT COMPANY	
FINISH		DEFAULTS		NAME		DIAGRAM, WIRING, SAFETY WIRING	
IS REVISED		COUNTERSINKS		DWG DES.		1306F STAND ALONE	
BUSH		SCALE		SCALE		1/4"	
HOLE		MATERIAL		MATERIAL		NOTED	
LEAD BCAST		SHEET METAL FAB		NEXT ASSY		1306E	
DRILL		X		=2.100		PART NO. 1306F-WD4	
DRILL		XX		=2.090		REV	
DRILL		XXX		=2.015		125162E	
DRILL		XXXX		=AS SPECIFIED		SCALE 1/4"	
2019		DATE		SCALE		1/4" (DATE) 11/9/2023 (DWG SIZE) B	

The materials contained herein are confidential and proprietary information of Atlanta Attachment Company. In addition to any confidentiality and non-disclosure obligations that currently exist between you and Atlanta Attachment Company, your use of these materials serves as an acknowledgment of the confidential and proprietary nature of these materials and your duty not to make any unauthorized use or disclosure of these materials.