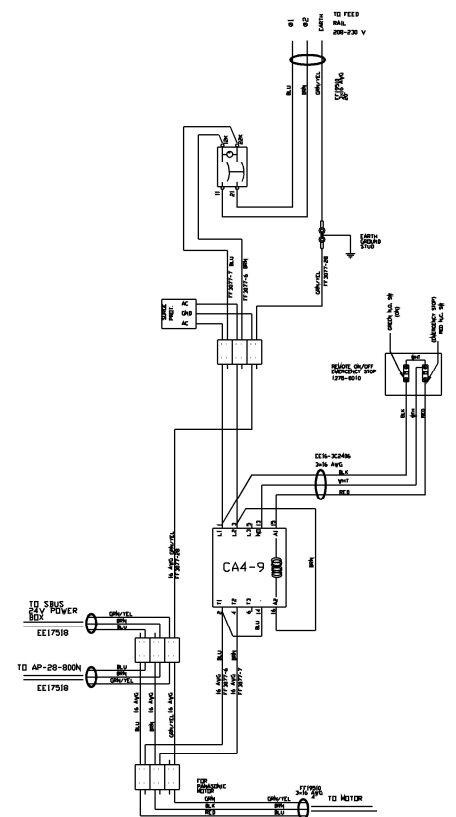
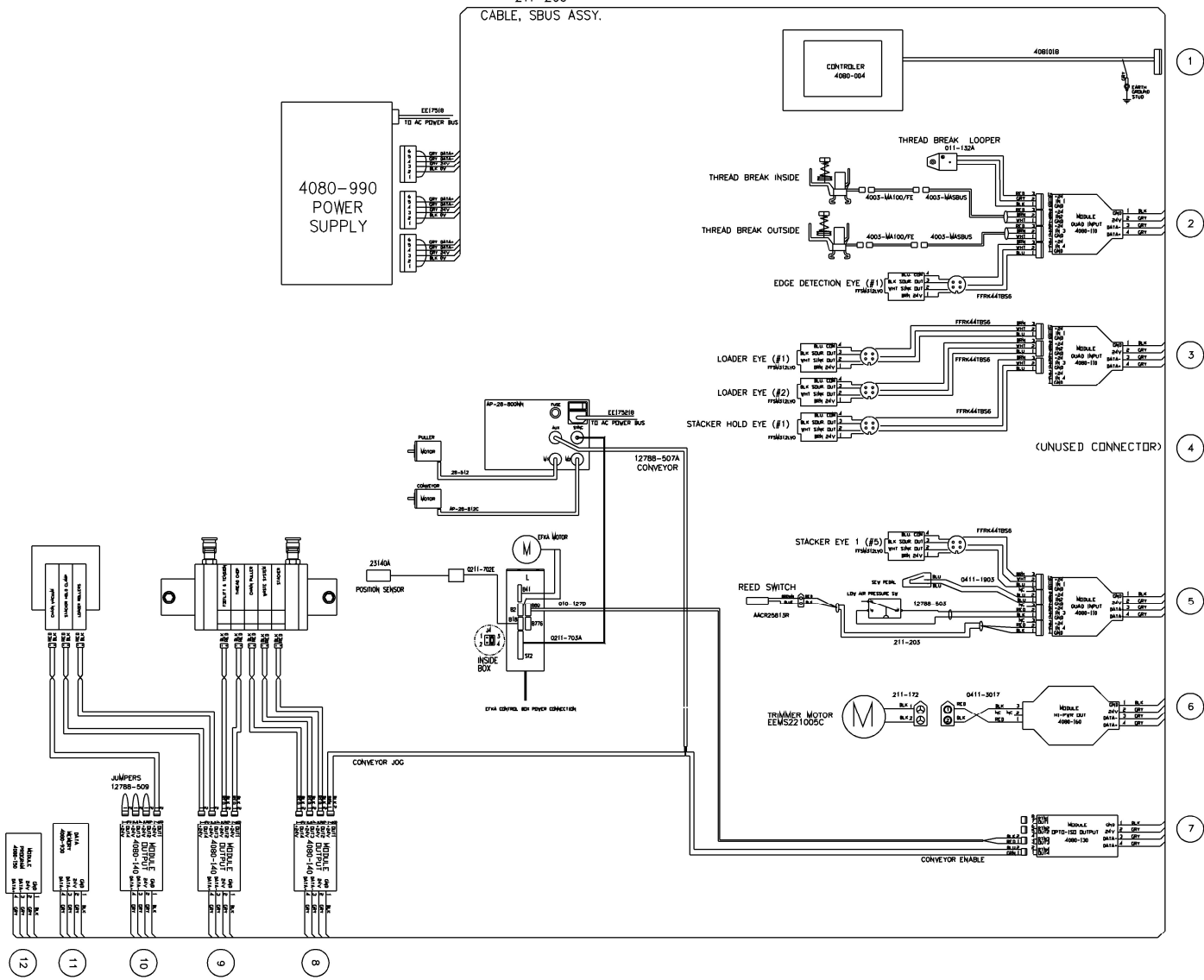


211-206
CABLE, SBUS ASSY.



- 12
- 11
- 10
- 9
- 8

- 1
- 2
- 3
- 4
- 5
- 6
- 7



NO.	REVISION	DATE	DR.	CK.
	FINISH			
	PLAIN			
	BURR BENCH			
	BLACKOXIDE			
	HEAT TREAT			
	SAND BLAST			
	BUFF			
	PAINT TAN			
	CHROMATE			
	TIMESAVE			
	OIL			

ATLANTA ATTACHMENT COMPANY			
NAME DIAGRAM, WIRING, SBUS			
2nd DES. EFGA, 211PS			
MATERIAL			
ASSEMBLY 211ESEG6702		PART NO. 211PS-WD2	
DES. BY PBD		DRAWING NO.	
DR. BY PBD		125312D	
CK. BY		REV 0	
SCALE 1/5,5		DATE: 1/11/17	
		MACH CL.	