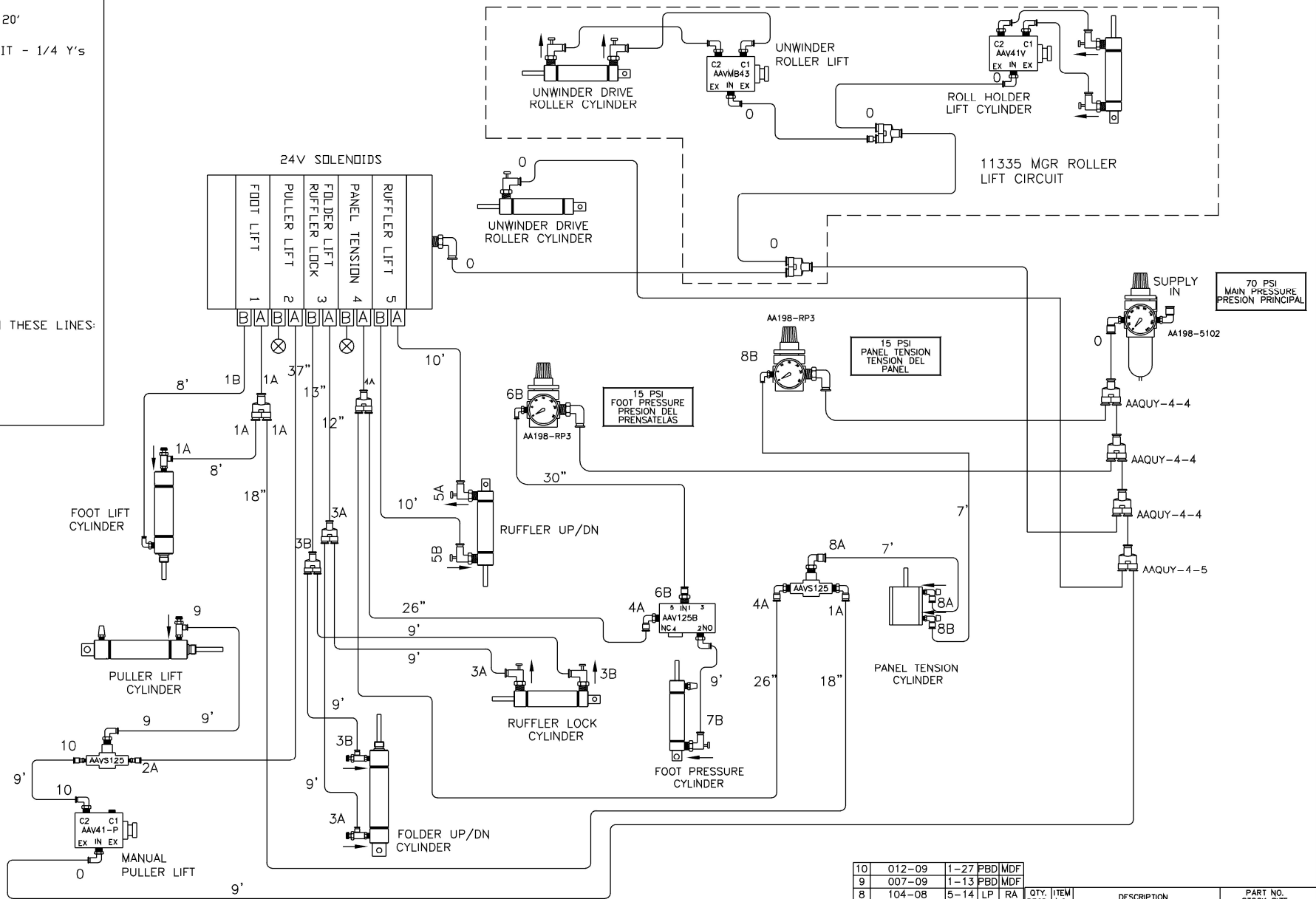


MAIN 1/4" LINE 20'

- 0 - 1/4 CUT TO FIT - 1/4 Y's  
 0 - 5/32 9' (2)  
 1A - 8'  
 1B - 8'  
 2A - 37"  
 3A - 9' (2)  
 3B - 9' (2)  
 4A - 26" (2)  
 5A - 10'  
 5B - 10'  
 6B - 30"  
 7B - 9'  
 8A - 7'  
 8B - 7'  
 9 - 9'  
 10 - 9'

- ADD 5/32 Y's TO THESE LINES:  
 1A - 14"  
 1A - 18"  
 3A - 12"  
 3B - 13"  
 4A - 11"



METERED FLOW DIRECTION →  
 1/4" AIR LINE ————  
 5/32" AIR LINE ————

THE INFORMATION ON THIS DRAWING IS THE INTELLECTUAL PROPERTY OF ATLANTA ATTACHMENT COMPANY AND ITS AFFILIATES. THIS DRAWING MAY NOT BE COPIED IN ANY FORM WHATSOEVER. THIS INFORMATION MAY NOT BE USED BY ANY UNAUTHORIZED PERSON OR COMPANY. IN ADDITION TO ANY CONFIDENTIALITY AND NON-DISCLOSURE OBLIGATIONS THAT CURRENTLY EXIST BETWEEN YOU AND ATLANTA ATTACHMENT COMPANY, YOUR USE OF THESE MATERIALS SERVES AS AN ACKNOWLEDGMENT OF THE CONFIDENTIAL AND PROPRIETARY NATURE OF THESE MATERIALS AND YOUR DUTY NOT TO MAKE ANY UNAUTHORIZED USE OR DISCLOSURE OF THESE MATERIALS.



10	012-09	1-27	PBD	MDF
9	007-09	1-13	PBD	MDF
8	104-08	5-14	LP	RA
7	099-08	5-7	RA	RA
NO.	REVISION	DATE	DR.	CK.
FINISH		DEFAULTS		
PLAIN/CLEAN				
BURR BEVEL				
BLACKOXIDE				
HEAT TREAT				
SAND BLAST				
BUFF				
PAINT				
CLEAR CHROMATE				
TIMESAVE				
OIL				

QTY.	ITEM	DESCRIPTION	PART NO.
REQD.	NO.		STOCK SIZE
<b>ATLANTA ATTACHMENT COMPANY</b>			
NAME: DIAGRAM, PNEUMATIC, 1335MF			
2nd DES.: 11355MF			
MATERIAL:			
NEXT ASSY: 11335MF		PART NO. 1335MF-PD	
DES. BY: T.OLEWICZ		DRAWING NO.	
DR. BY: DONNA WILLIS		125860A	
CK. BY: JT		REV 10	
SCALE 2/1	DATE: 9-19-03	DWG SIZE 2/1	

222-03