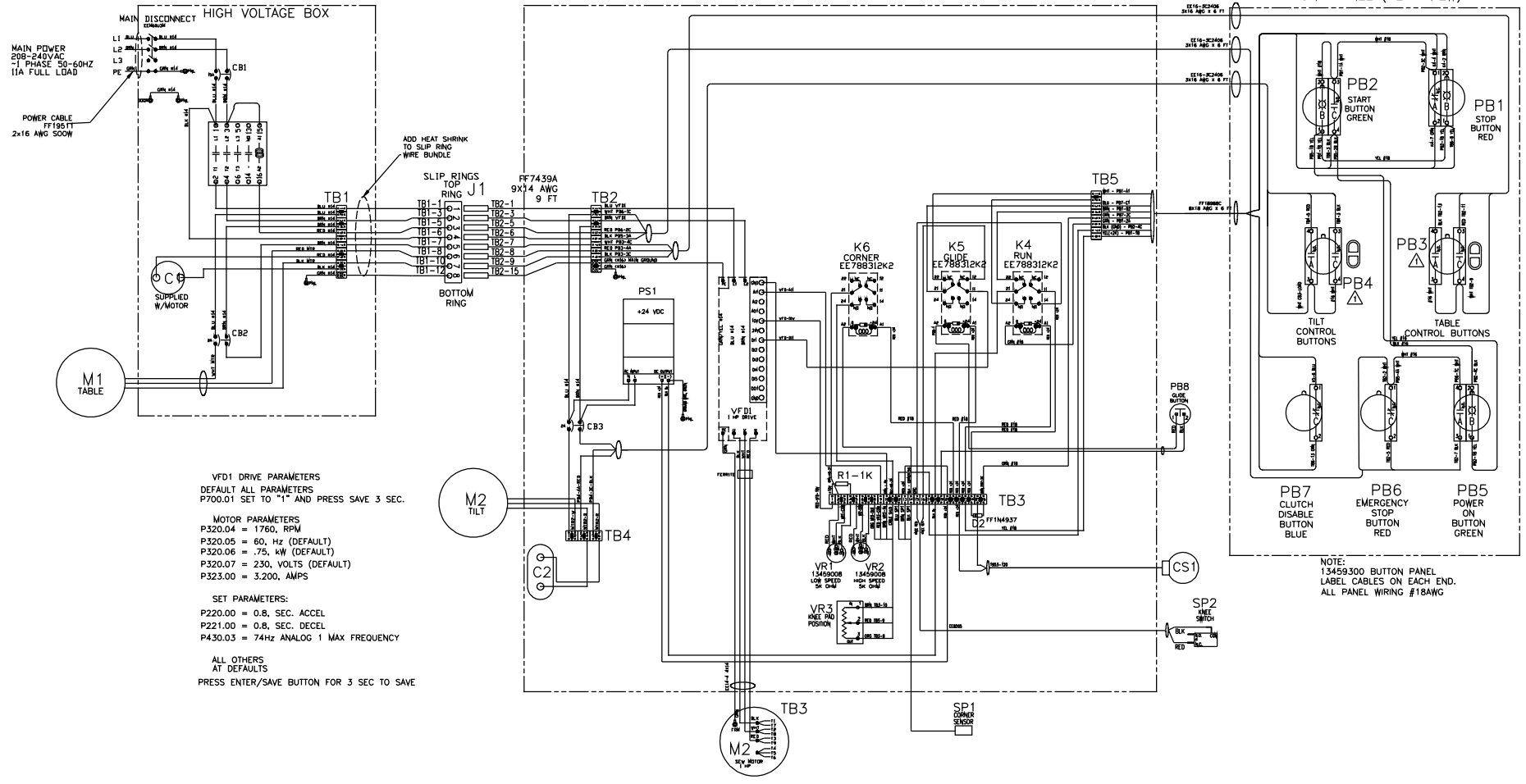


1345482
FRONT PANEL (REAR VIEW)



VFD1 DRIVE PARAMETERS
 DEFAULT ALL PARAMETERS
 P700.01 SET TO "1" AND PRESS SAVE 3 SEC.

MOTOR PARAMETERS
 P320.04 = 1760, RPM
 P320.05 = 60, Hz (DEFAULT)
 P320.06 = .75, kW (DEFAULT)
 P320.07 = 230, VOLTS (DEFAULT)
 P323.00 = 3.200, AMPS

SET PARAMETERS:
 P220.00 = 0.8, SEC. ACCEL
 P221.00 = 0.8, SEC. DECEL
 P430.03 = 74Hz ANALOG 1 MAX FREQUENCY

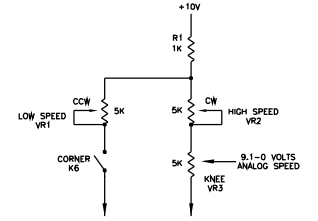
ALL OTHERS
 AT DEFAULTS
 PRESS ENTER/SAVE BUTTON FOR 3 SEC TO SAVE

NOTE:
 13459300 BUTTION PANEL
 LABEL CABLES ON EACH END.
 ALL PANEL WIRING #18AWG

NOTE: WIRES WITHOUT AWG DESIGNATION ARE #22

WIRE	PART #
#14 BRN	FF3079-7
#14 BLU	FF3079-6
#14 GRN/YEL	FF3079-2B
#14 BLK	FF3079-2
#14 WHI	FF3079-1
#14 RED	FF3079-3
#22 WHI	FF3251-1
#22 BLK	FF3251-2
#22 RED	FF3251-3
#22 GRN	FF3251-4
#22 VIO	FF3251-10
#22 YEL	FF3251-5
#22 GRN	FF3251-8
#22 BRN	FF3251-9
#22 BLU	FF3251-6
#18 YEL	EE15691802
#18 BLK	EE15601800
#18 WHI	EE15691809

TB3 1-11 SPEED CONTROL SCHEMATIC



NOTES:
 PREVIOUS SWITCH MODEL
 CHANGED WIRE COLORS
 REVERSE TWO LEADS AS
 REQUIRED



209-03

NO.	REVISION	DATE	DR.	CK.
	FINISH		DEFAULTS	
	PLAIN/CLEAN			
	BURR BENCH			
	BLACKOXIDE			
	HEAT TREAT			
	SAND BLAST			
	BUFF			
	PAINT			
	CLEAR CHROMATE			
	TIME SAVE			
	OIL			

QTY.	ITEM	DESCRIPTION	PART NO.
RECD.	NO.		STOCK SIZE
ATLANTA ATTACHMENT COMPANY			
NAME DIAGRAM, WIRING			
2nd DES.			
MATERIAL			
NEXT ASSY 11345-2C		PART NO. 1345-2CWD	
DES. BY PS		DRAWING NO. 125677D	
DR. BY PS		REV 0	
CK. BY PS		SCALE 1/2.5	
DATE: 7-11-19		DWG SIZE C	