

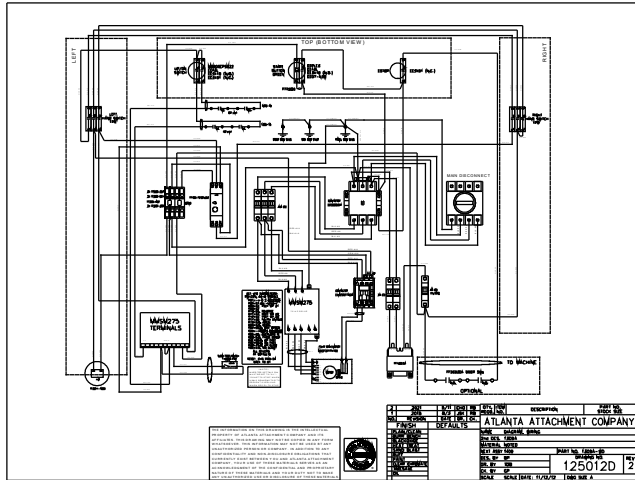
SET VFD PARAMETERS:
 PW=225, 44=0 DISABLE
 P01 = -> 21 # 15-37000
 P04 = 01 # 15-37000
 P05 = 02, PSET SP #1
 P06 = 02
 P10 = 06, REVERSE
 P11 = 04, PSET SP #2
 P12 = 04, PSET SP #3
 P17 = 02, FWD/REV ENABLE
 P19 = 0.5, ACCEL
 P20 = 0.5, DECEL
 P24 = 80.0, MAX SPEED
 P25 = -> 100 # 15-37000
 P26 = 80, OVERLOAD #
 P28 = 5.0, FIXED BOOST
 P31 = 80.0, UP FAST
 P32 = 80.0, DN FAST
 P33 = 1.0, SLOW
 P38 = 5.0, ON SLOW
 ALL OTHERS
 AT DEFAULTS
 RESET, CHG P48-04
 BACK TO 01

THE INFORMATION ON THIS DRAWING IS THE INTELLECTUAL PROPERTY OF ATLANTA ATTACHMENT COMPANY AND ITS AFFILIATES. THIS DRAWING MAY NOT BE COPIED IN ANY FORM WHATSOEVER. THIS INFORMATION MAY NOT BE USED BY ANY UNAUTHORIZED PERSON OR COMPANY. IN ADDITION TO ANY CONFIDENTIALITY AND NON-DISCLOSURE OBLIGATIONS THAT CURRENTLY EXIST BETWEEN YOU AND ATLANTA ATTACHMENT COMPANY, YOUR USE OF THESE MATERIALS SERVES AS AN ACKNOWLEDGMENT OF THE CONFIDENTIAL AND PROPRIETARY NATURE OF THESE MATERIALS AND YOUR DUTY NOT TO MAKE ANY UNAUTHORIZED USE OR DISCLOSURE OF THESE MATERIALS.



2	2021	5/11	CHO	RB	QTY. REQD.	ITEM NO.	DESCRIPTION	PART NO. STOCK SIZE
1	2015	8/3	JSK	RB				
NO.	REVISION	DATE	DR.	CK.	ATLANTA ATTACHMENT COMPANY			
FINISH					DEFAULTS			
PLAIN/CLEAN					NAME			
BURR BENCH					DIAGRAM, WIRING			
BLACKOXIDE					2nd DES. 1309A			
HEAT TREAT					MATERIAL NOTED			
SAND BLAST					NEXT ASSY 1409			
BUFF					PART NO. 1309A-WD			
PAINT					DRAWING NO.			
CLEAR CHROMATE					125012D			
TIMESAVE					DR. BY TDB			
OIL					CK. BY GP			
SCALE					DATE: 11/12/12			
SCALE					DWG SIZE A			

REV 2



REV	DATE	BY	CHKD	DESCRIPTION
1	12/15/12	ATLANTA ATTACHMENT COMPANY		
2				
3				
4				
5				
6				
7				
8				
9				
10				
11				
12				
13				
14				
15				
16				
17				
18				
19				
20				
21				
22				
23				
24				
25				
26				
27				
28				
29				
30				
31				
32				
33				
34				
35				
36				
37				
38				
39				
40				
41				
42				
43				
44				
45				
46				
47				
48				
49				
50				
51				
52				
53				
54				
55				
56				
57				
58				
59				
60				
61				
62				
63				
64				
65				
66				
67				
68				
69				
70				
71				
72				
73				
74				
75				
76				
77				
78				
79				
80				
81				
82				
83				
84				
85				
86				
87				
88				
89				
90				
91				
92				
93				
94				
95				
96				
97				
98				
99				
100				