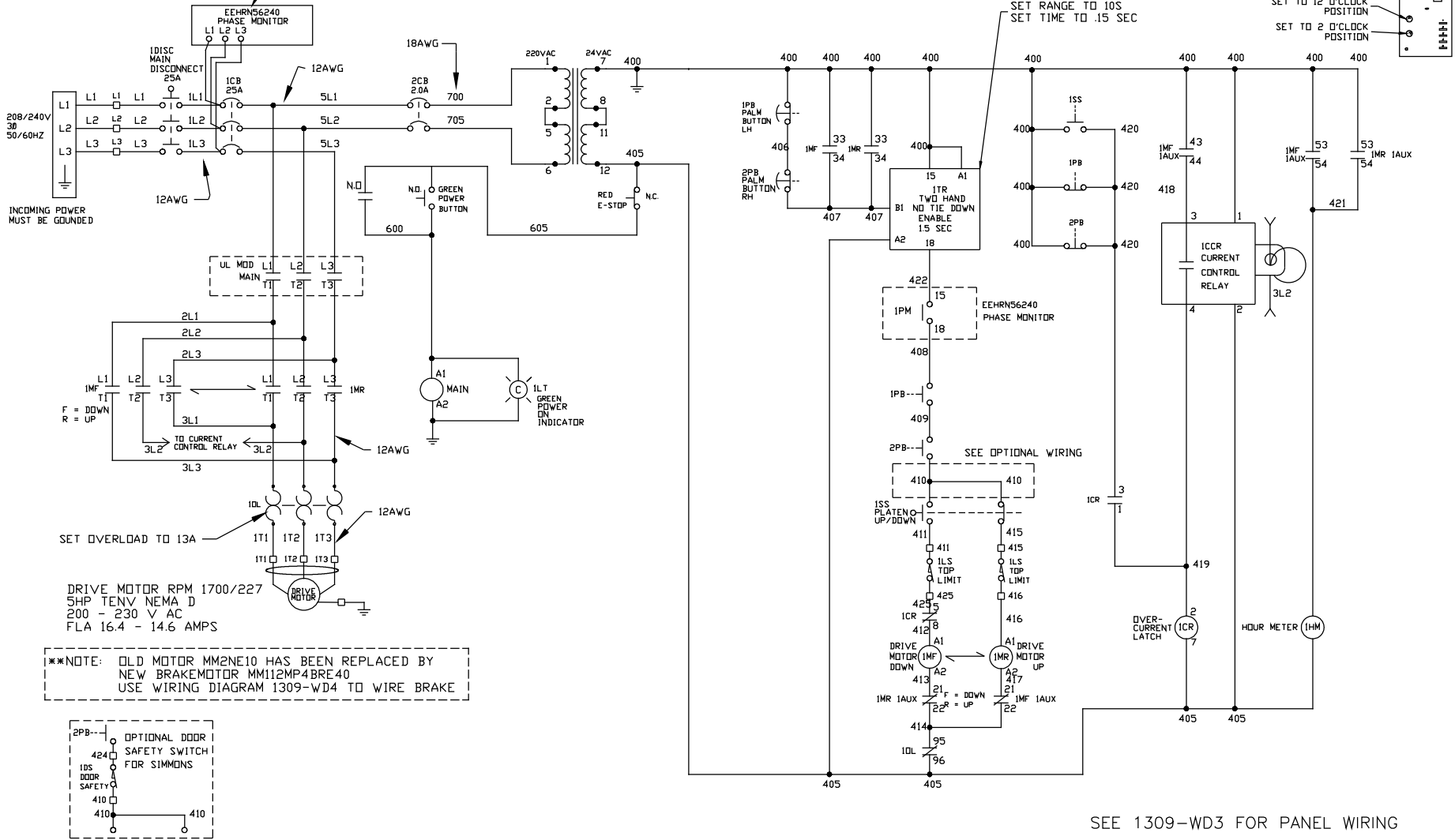


240V AC 40 AMPS

POWER TO CONTROL CABINET
MUST BE PROTECTED WITH
AN UL489 LISTED CIRCUIT
BREAKER

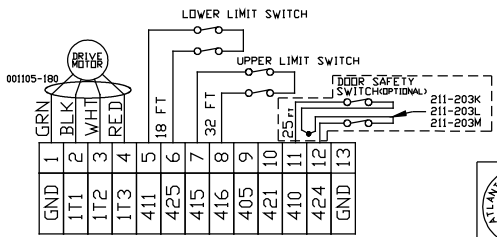
CONNECT INCOMING POWER SO ONLY GREEN LAMP IS LIT
IF MOTORS RUN BACKWARDS, SWAP L2,L3 ON BOTH INCOMING
POWER AND AT PHASE MONITOR



DRIVE MOTOR RPM 1700/227
5HP TENV NEMA D
200 - 230 V AC
FLA 16.4 - 14.6 AMPS

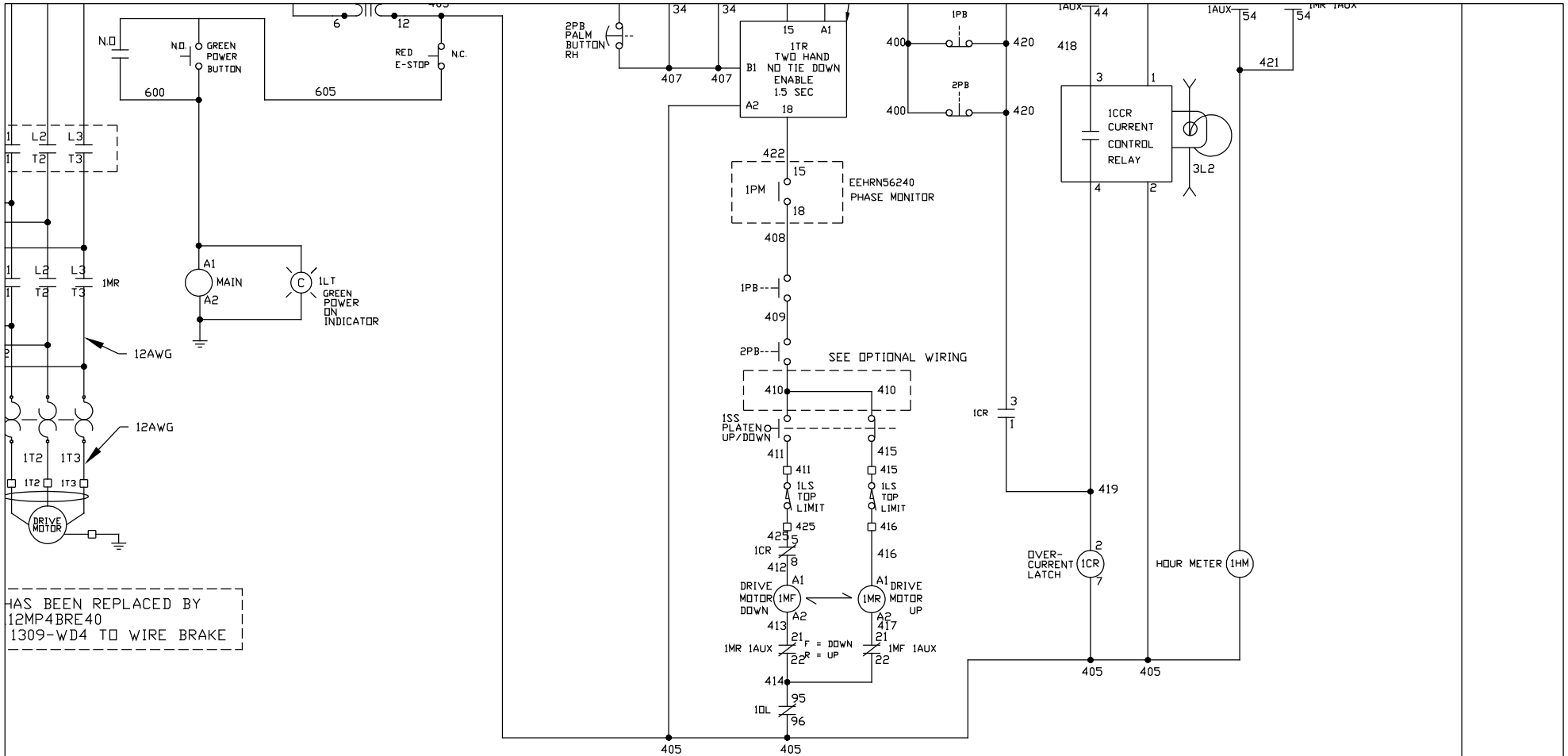
***NOTE: OLD MOTOR MM2NE10 HAS BEEN REPLACED BY
NEW BRAKEMOTOR MM112MP4BRE40
USE WIRING DIAGRAM 1309-WD4 TO WIRE BRAKE

SEE 1309-WD3 FOR PANEL WIRING



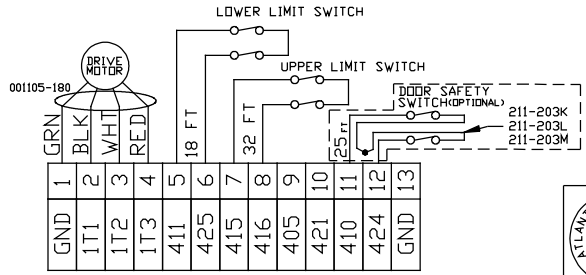
1	2018	8/2	PD	RB	QTY.	ITEM	DESCRIPTION	PART NO.
NO.	REVISION	DATE	DR.	CK.	REQD.	NO.		STOCK SIZE
ATLANTA ATTACHMENT COMPANY								
NAME WIRING SCHEMATIC, UNBALER								
2nd DES. UL MOD (LOW VOLTAGE)								
MATERIAL								
SHEET METAL FAB					ASSEMBLY 1309-KIT07			
CHROMATE					PART NO. 1309-WD2			
PAINT TAN					DRAWING NO.			
CHROMATE					125426D			
TIMESAVE					REV			
OIL					2			
CLEAR CHROMATE					SCALE: 1/1			
DESTINATION					DATE: 02/01/12			
					MACH CL X			

The materials contained herein are confidential and proprietary information of Atlanta Attachment Company. In addition to any confidentiality and non-disclosure obligations that currently exist between you and Atlanta Attachment Company, your use of these materials serves as an acknowledgment of the confidential and proprietary nature of these materials and your duty not to make any unauthorized use or disclosure of these materials.



HAS BEEN REPLACED BY
12MP4BRE40
1309-WD4 TO WIRE BRAKE

SEE 1309-WD3 FOR PANEL WIRING



1	2018	8/2	PD	RB	QTY. REQD.	ITEM NO.	DESCRIPTION	PART NO. STOCK SIZE
NO.	REVISION	DATE	DR.	CK.	ATLANTA ATTACHMENT COMPANY			
FINISH					NAME WIRING SCHEMATIC, UNBALER			
PLAIN					2nd DES. UL MOD (LOW VOLTAGE)			
BURR BENCH					MATERIAL			
BLACKOXIDE					ASSEMBLY 1309-KIT07			
HEAT TREAT					PART NO. 1309-WD2			
SAND BLAST					DES. BY BP			
BUFF					DRAWING NO.			
PAINT TAN					DR. BY PD			
CHROMATE					CK. BY BP			
CHROMATE .X = ± .100					SCALE: 1/1			
TIMESAVE .XX = ± .050					DATE: 02/01/12			
OIL .XXX = ± .015					MACH CL X			
CLEAR CHROMATE .XXXX = AS SPECIFIED								
DESTINATION								

Confidential and proprietary information of Atlanta Attachment Company. In addition to any confidentiality and non-disclosure obligations that currently exist between you and Atlanta Attachment Company, you acknowledge the confidential and proprietary nature of these materials and your duty not to make any unauthorized use or disclosure of these materials.