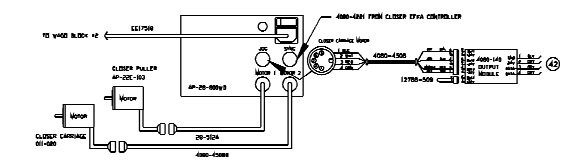
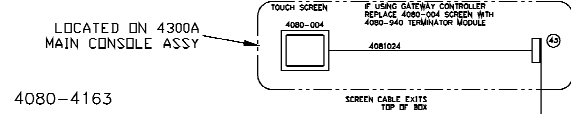
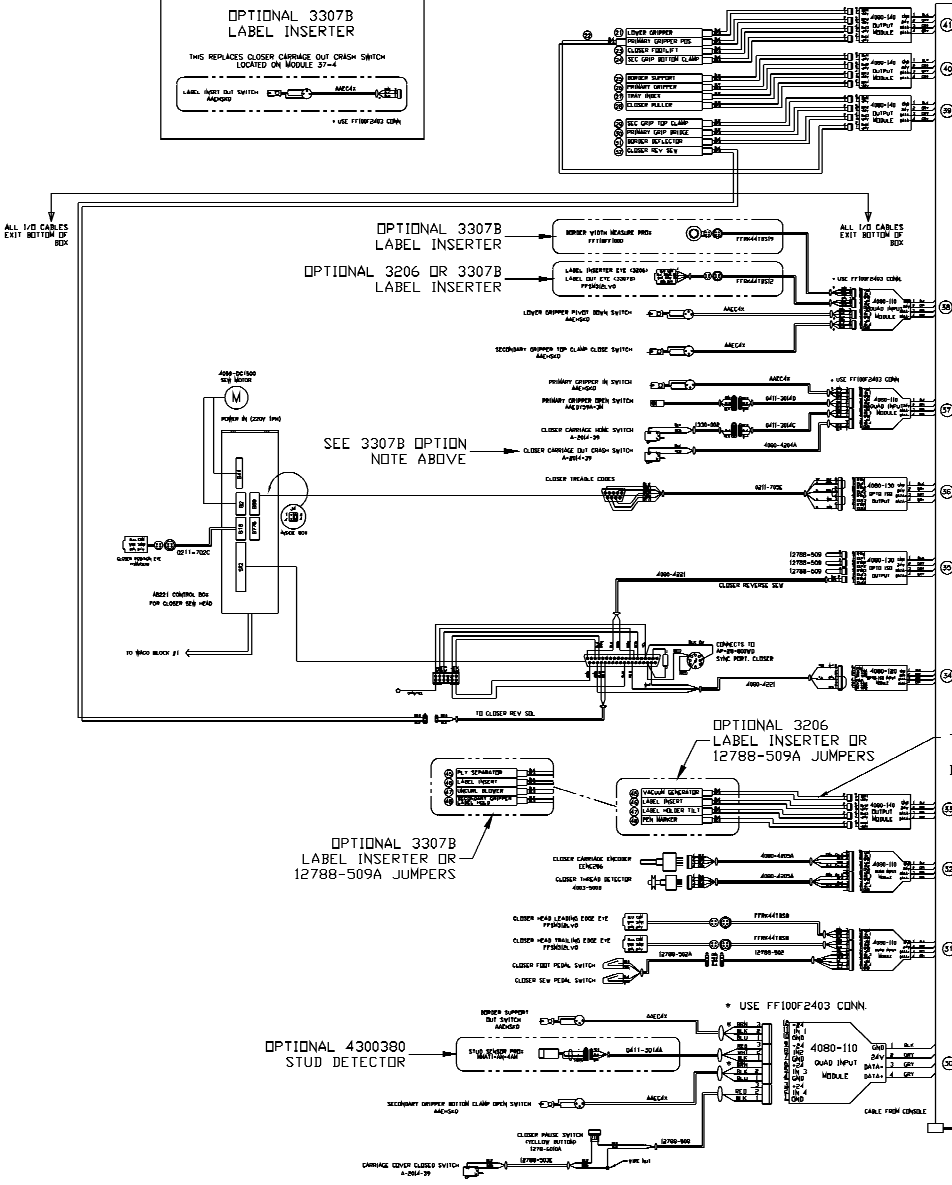
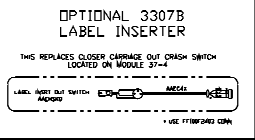


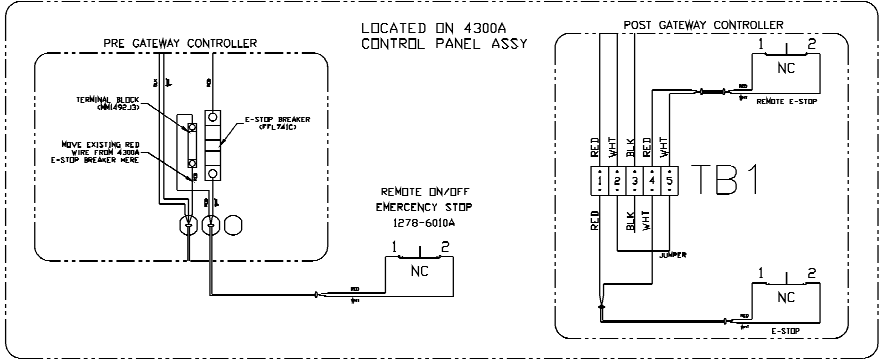
3307B OPTION NOTE



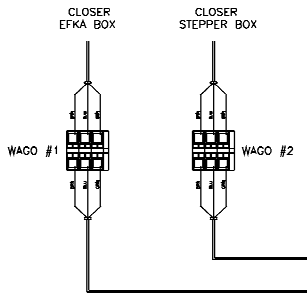
STEPPER MOTOR BOX SETTINGS

PULLER SYNC SPEED
2 AMP. CM
THUMBWHEEL SETTINGS - 150
JOG POT SETTING - 850

CONVEYOR SYNC SPEED
4 AMP. CM
THUMBWHEEL SETTING - 107
JOG POT SETTING - 750



THESE WIRES MUST BE EXTENDED 6' TO REACH THE MODULE. DO NOT MOVE THE MODULE!!



THE INFORMATION ON THIS DRAWING IS THE INTELLECTUAL PROPERTY OF ATLANTA ATTACHMENT COMPANY AND ITS AFFILIATES. THIS DRAWING MAY NOT BE COPIED IN ANY FORM WHATSOEVER. THIS INFORMATION MAY NOT BE USED BY ANY UNAUTHORIZED PERSON OR COMPANY. IN ADDITION TO ANY CONFIDENTIALITY AND NON-DISCLOSURE OBLIGATIONS THAT CURRENTLY EXIST BETWEEN YOU AND ATLANTA ATTACHMENT COMPANY, YOUR USE OF THESE MATERIALS SERVES AS AN ACKNOWLEDGMENT OF THE CONFIDENTIAL AND PROPRIETARY NATURE OF THESE MATERIALS AND YOUR DUTY NOT TO MAKE ANY UNAUTHORIZED USE OR DISCLOSURE OF THESE MATERIALS.



7	2023	2/24	CM	YG
6	2021	1/21	WO	RB
5	2017	8/30	RB	RB
4	2015	9/15	RB	RB
3	2013	1-11	MD	MD
2	020-11	2/18/11	WO	RAB
NO.	REVISION	DATE	DR.	CHK.
FINISH DEFAULTS				
DR. IN/CLEAN				
BURR BENCH				
BLACKOXIDE				
HEAT TREAT				
SAND BLAST				
BUFF				
PAINT				
CLEAR CHROMATE				
TIMESAVE				
OIL				

ATLANTA ATTACHMENT COMPANY			
NAME: DIAGRAM, WIRING, CLOSER			
2nd DES. 4300200			
MATERIAL N/A			
NEXT ASSY 4300200		PART NO. 4300-WD1	
DES. BY PBD		DRAWING NO.	
DR. BY PBD		125905B	
CK. BY MATT DASHER		REV 7	
SCALE 1/10	DATE: 2-25-09	DWG SIZE: C	