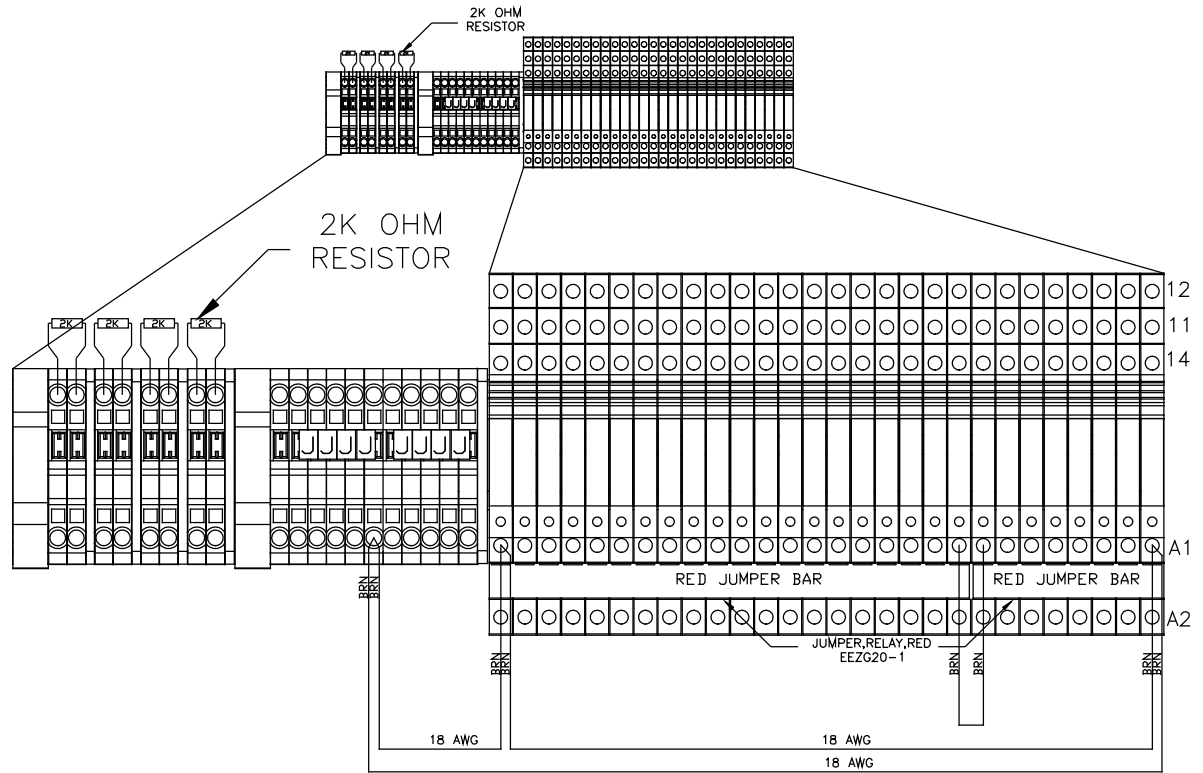
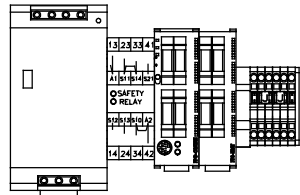


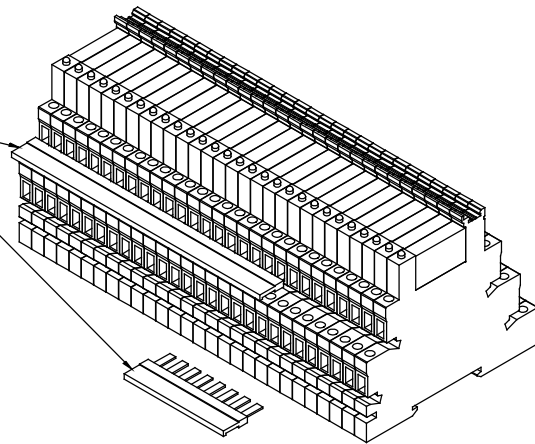
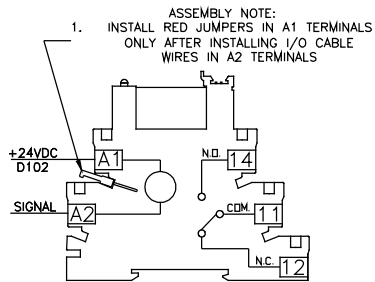
PLC OUTPUT I/O POWER ROUTING

BOTTOM DIN RAIL



WIRE LIST

- EE15691801 #18 BROWN



SHEET 3 OF 9



XXX-XX

NO.	REVISION	DATE	DR.	CK.	QTY.	ITEM NO.	DESCRIPTION	PART NO. STOCK SIZE
2	080-11	6-10	TM					
1	004-11	1-12	TM					
FINISH					ATLANTA ATTACHMENT COMPANY			
DEFAULTS					NAME DIAGRAM.WIRING, PAGE 10-3			
PLAIN/CLEAN					2nd DES. 11393E, CONTROL PANEL			
BURR BENCH					MATERIAL			
BLACKOXIDE					NEXT ASSY 11393E			
HEAT TREAT					PART NO. 1393E-WD10			
SAND BLAST					DRAWING NO.			
BUFF					DES. BY JK			
PAINT					DR. BY JK			
CLEAR CHROMATE					CK. BY			
TIMESAVE					SCALE NTS			
OIL					DATE: 03/15/11			
					DWG SIZE C			
								REV
								6