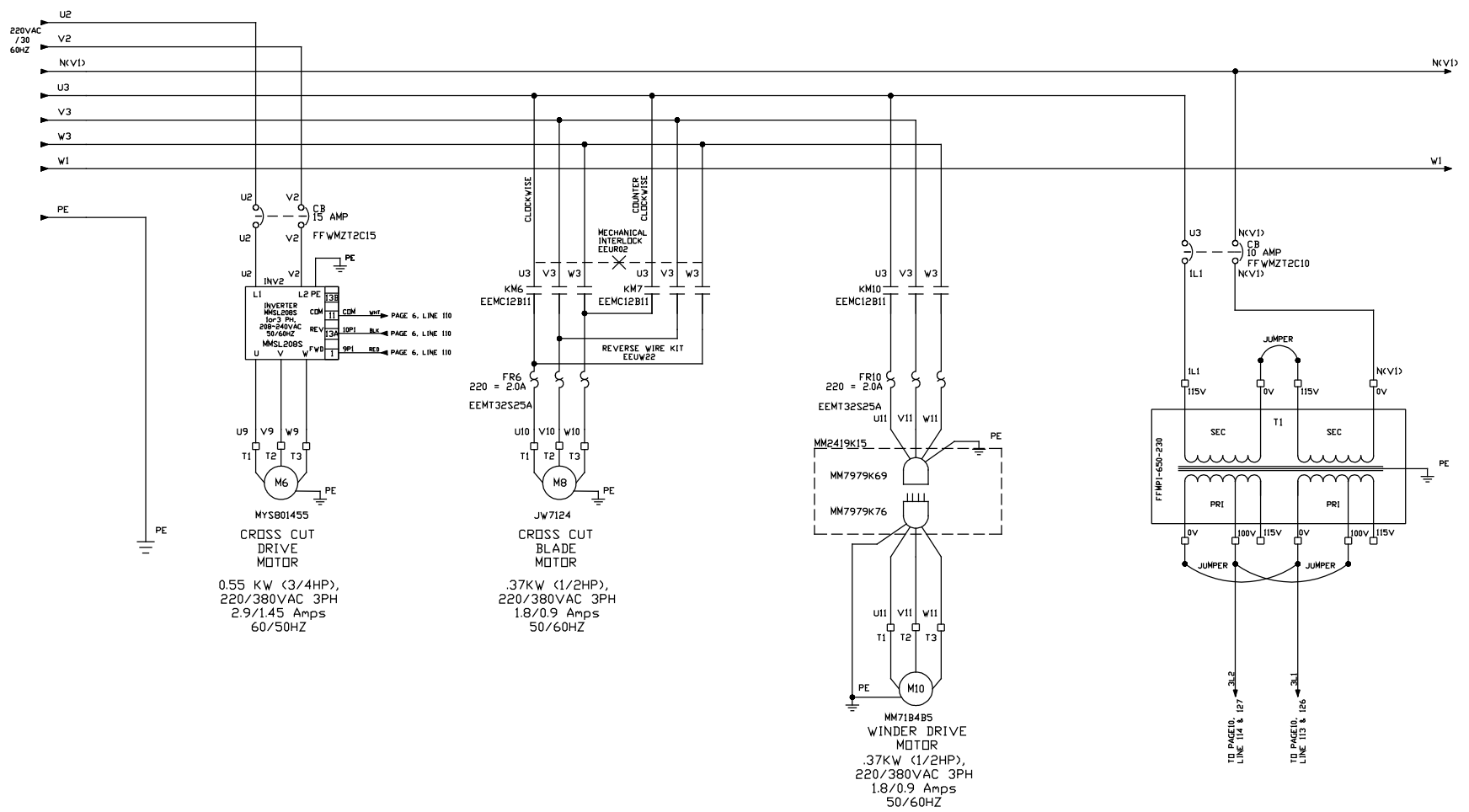


100
101
102
103
104
105
106
107
108
109
110
111
112
113
114
115
116
117
118
119
120
121
122
123
124



MYS801455
CROSS CUT
DRIVE
MOTOR
0.55 KW (3/4HP),
220/380VAC 3PH
2.9/1.45 Amps
60/50HZ

JW7124
CROSS CUT
BLADE
MOTOR
.37KW (1/2HP),
220/380VAC 3PH
1.8/0.9 Amps
50/60HZ

MM71B4B5
WINDER DRIVE
MOTOR
.37KW (1/2HP),
220/380VAC 3PH
1.8/0.9 Amps
50/60HZ

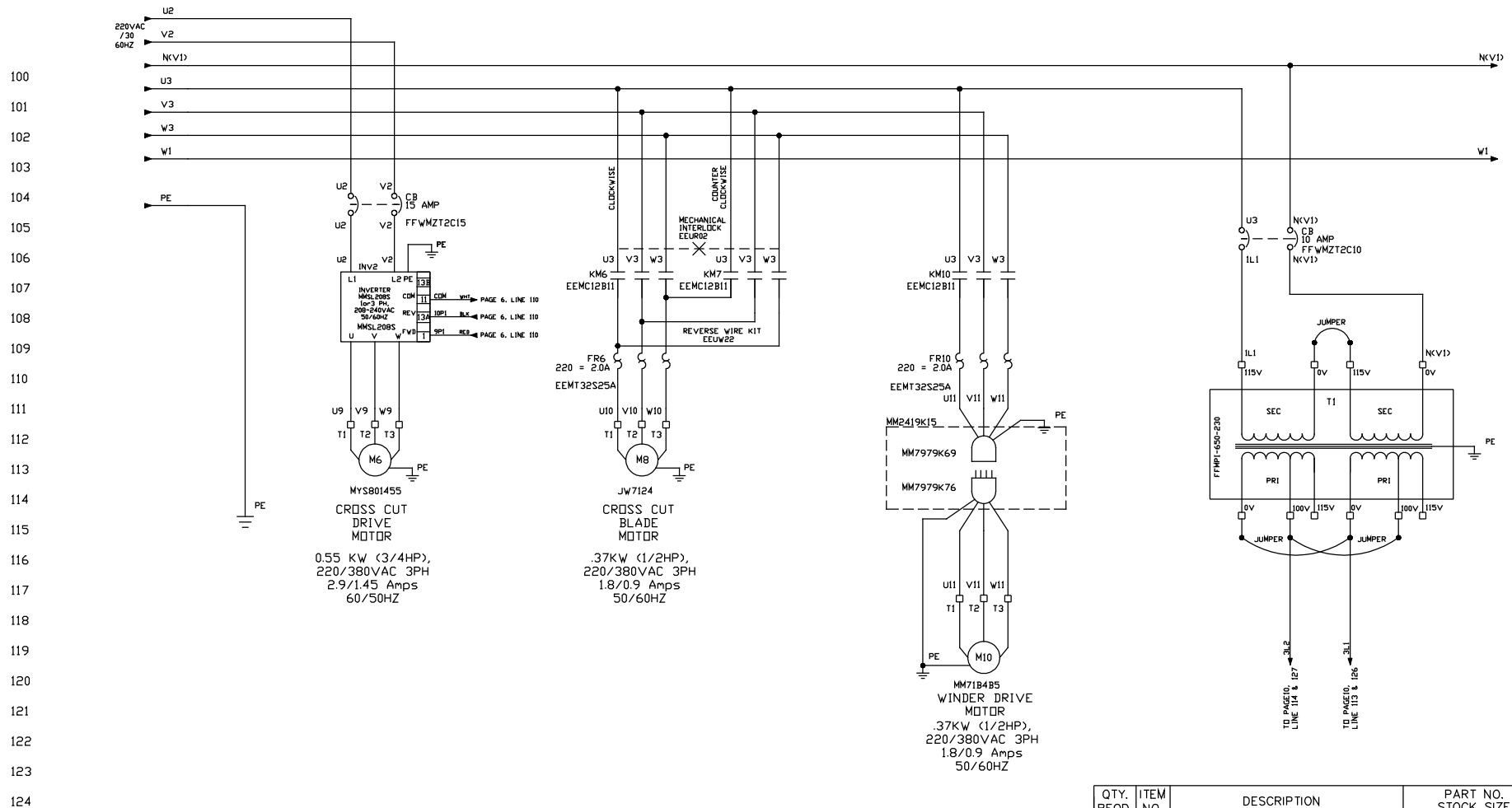


XXX-XX

2	080-11	6-13	TM	RB
NO.	REVISION	DATE	DR.	CK.
FINISH		DEFAULTS		
PLAIN/CLEAN		COUNTERSINKS: .02		
BURR BENCH		SHEET METAL FAB		
BLACKOXIDE		.X = ± .100		
HEAT TREAT		.XX = ± .050		
SAND BLAST		.XXX = ± .015		
BUFF		.XXXX = AS SPECIFIED		
PAINT				
CLEAR CHROMATE				
TIMESAVE				
OIL				

QTY. REQD.	ITEM NO.	DESCRIPTION	PART NO. STOCK SIZE
ATLANTA ATTACHMENT COMPANY			
NAME		DIAGRAM, WIRING, PAGE 2	
2nd DES. MOTOR DRIVES, 1393E			
MATERIAL N/A			
NEXT ASSY 11393E		PART NO. 1393E-WD2	
DES. BY JSK		DRAWING NO.	
DR. BY JSK		125885B	
CK. BY		REV 2	
SCALE		DATE: 10-20-10 DWG SIZE B	

The materials contained herein are confidential and proprietary information of Atlanta Attachment Company. In addition to any confidentiality and non-disclosure obligations that currently exist between you and Atlanta Attachment Company, your use of these materials serves as an acknowledgment of the confidential and proprietary nature of these materials and your duty not to make any unauthorized use or disclosure of these materials.



XXX-XX

2	080-11	6-13	TM	RB	QTY. REQD.	ITEM NO.	DESCRIPTION	PART NO. STOCK SIZE
NO.	REVISION	DATE	DR.	CK.	ATLANTA ATTACHMENT COMPANY			
FINISH					DEFAULTS			
PLAIN/CLEAN					COUNTERSINKS: .02			
BURR BENCH					SHEET METAL FAB			
BLACKOXIDE					.X = ± .100			
HEAT TREAT					.XX = ± .050			
SAND BLAST					.XXX = ± .015			
BUFF					.XXXX = AS SPECIFIED			
PAINT					SCALE			
CLEAR CHROMATE					DATE: 10-20-10			
TIMESAVE					DWG SIZE B			
OIL					OIL			
NAME							PART NO. 1393E-WD2	
DIAGRAM, WIRING, PAGE 2							DRAWING NO.	
2nd DES. MOTOR DRIVES, 1393E							125885B	
MATERIAL N/A							REV	
NEXT ASSY 11393E							2	
DES. BY JSK								
DR. BY JSK								
CK. BY								

The materials contained herein are confidential and proprietary information of Atlanta Attachment Company. In addition to any confidentiality and non-disclosure obligations that currently exist between you and Atlanta Attachment Company, your use of these materials serves as an acknowledgment of the confidential and proprietary nature of these materials and your duty not to make any unauthorized use or disclosure of these materials.