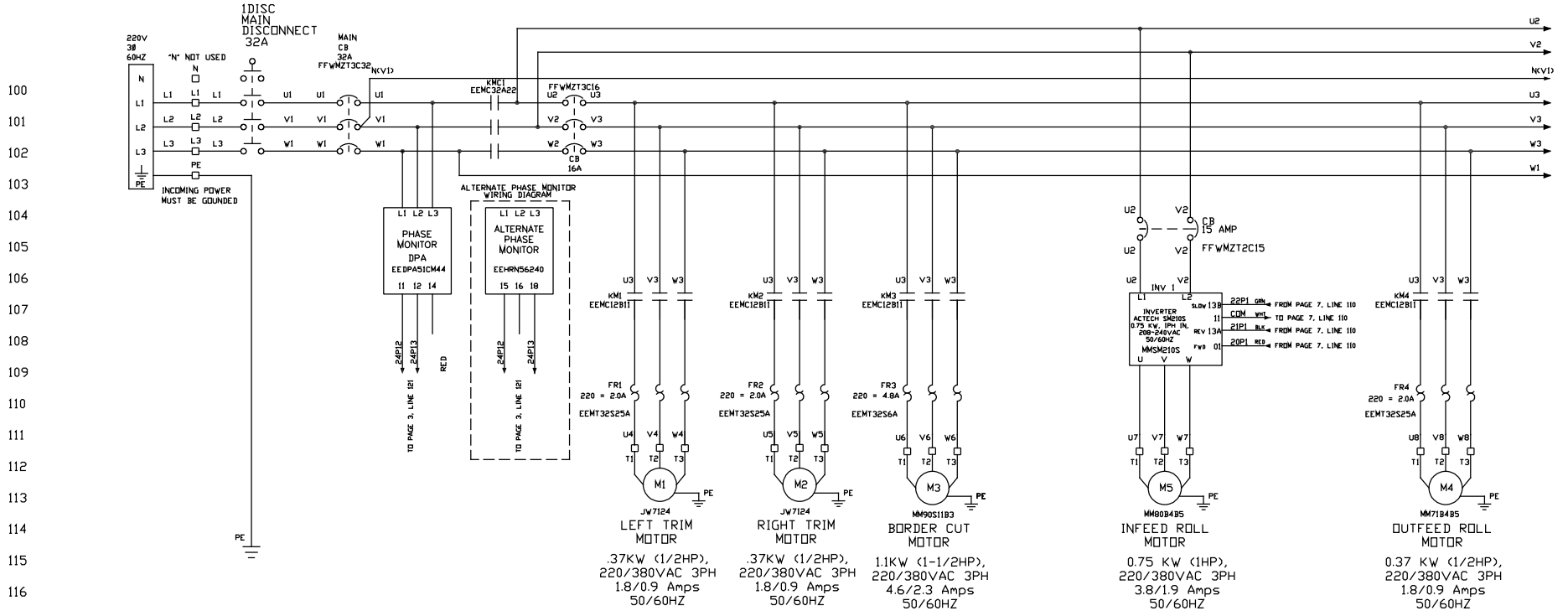


(EE194LHE6N175 DISCONNECT HANDLE)



100  
101  
102  
103  
104  
105  
106  
107  
108  
109  
110  
111  
112  
113  
114  
115  
116  
117  
118  
119  
120  
121  
122  
123  
124



QTY. REQD.	ITEM NO.	DESCRIPTION	PART NO. STOCK SIZE
2	080-11	6-13 TM RB	
NO.	REVISION	DATE	DR. CK.
FINISH		DEFAULTS	
PLAIN/CLEAN		COUNTERSINKS:  .02	
BURR BENCH		SHEET METAL FAB	
BLACKOXIDE		.X = ± .100	
HEAT TREAT		.XX = ± .050	
SAND BLAST		.XXX = ± .015	
BUFF		.XXXX = AS SPECIFIED	
PAINT		SCALE	
CLEAR CHROMATE		DATE: 10-20-10	
TIMESAVE		DWG SIZE B	
OIL			
<b>ATLANTA ATTACHMENT COMPANY</b>			
NAME DIAGRAM, WIRING, PAGE 1			
2nd DES. MOTOR DRIVES, 1393E			
MATERIAL N/A			
NEXT ASSY 11393E		PART NO. 1393E-WD1	
DES. BY JSK		DRAWING NO.	
DR. BY JSK		125884B	
CK. BY		REV 2	

The materials contained herein are confidential and proprietary information of Atlanta Attachment Company. In addition to any confidentiality and non-disclosure obligations that currently exist between you and Atlanta Attachment Company, your use of these materials serves as an acknowledgment of the confidential and proprietary nature of these materials and your duty not to make any unauthorized use or disclosure of these materials.

